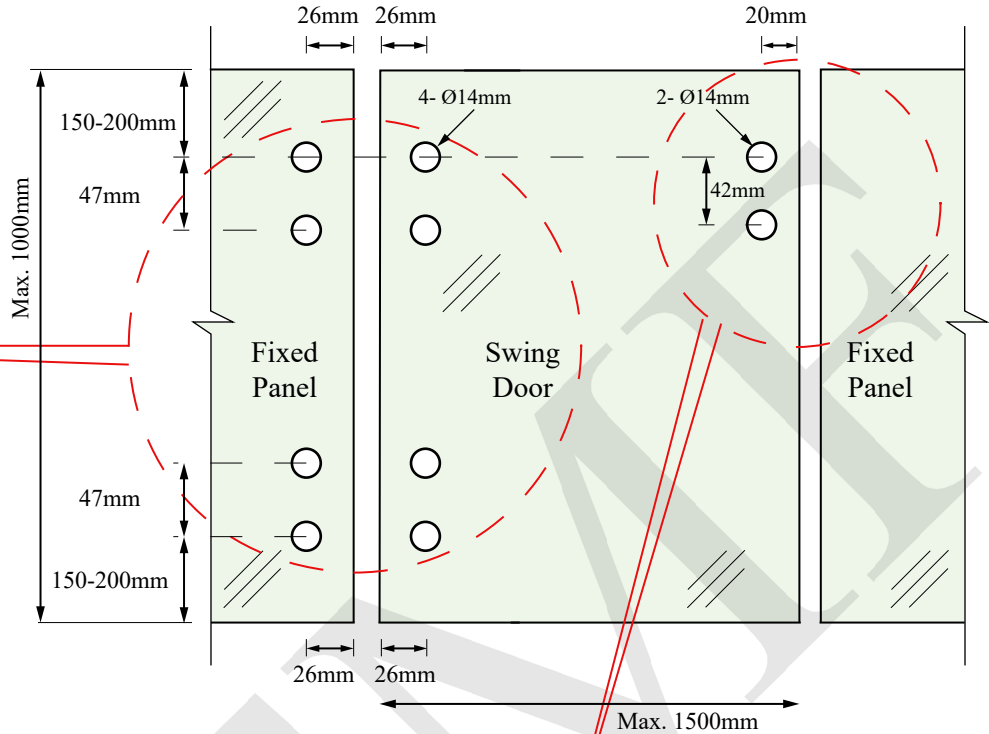
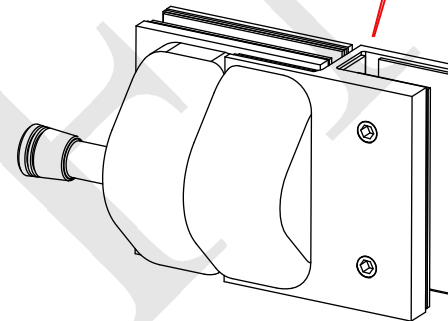


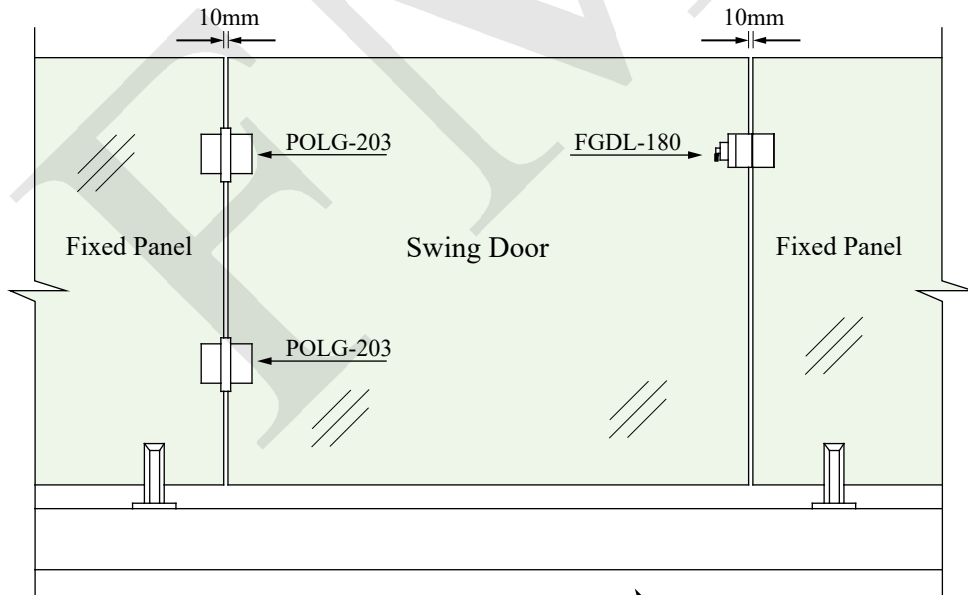
3D VIEW POLG-203



GLASS FABRICATION



3D VIEW FGDL-180



ELEVATION

Door Opening Direction



NOTES:

- PROPRIETARY AND CONFIDENTIAL - THE INFORMATION CONTAINED IN THIS DRAWING IS THE SOLE PROPERTY OF FMF GLASS HARDWARE. ANY REPRODUCTION IN PART OR AS A WHOLE WITHOUT THE WRITTEN PERMISSION OF FMF GLASS HARDWARE IS PROHIBITED.

PRODUCT NAME:
180° Left Side Glass Open
Magnetic Glass Door Lock &
Glass- Glass Self-Closing Hinge

PRODUCT MODEL NUMBER:
FGDL-180 & POLG-203

DWG NO. UNIT: MM
DATE: DRAWN BY: FMF

DWG SIZE/SCALE
A4/NTS

**FMF GLASS
HARDWARE**

REV. 1
SHEET 1 OF 1