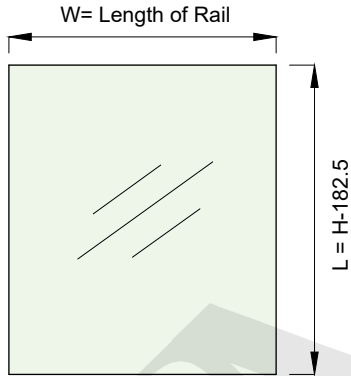


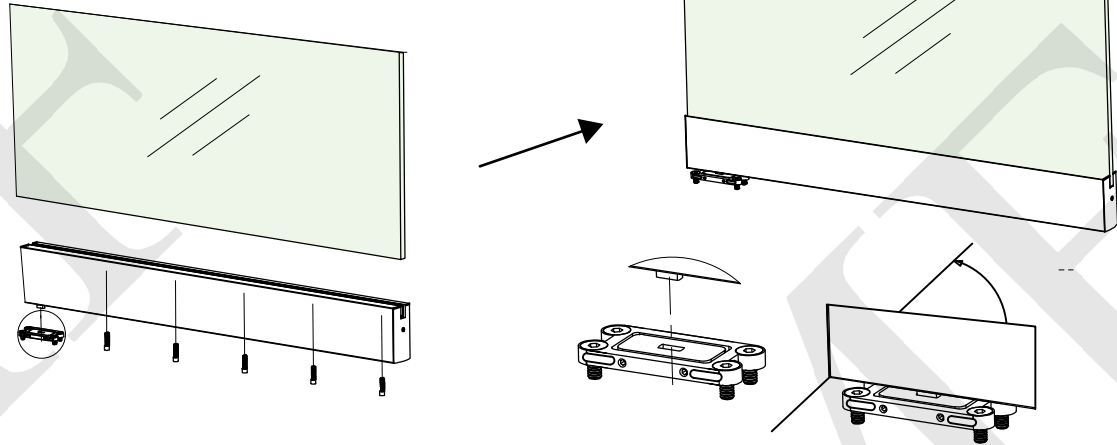
12 11 10 9 8 7 6 5 4 3 2 1

Glass Sizes

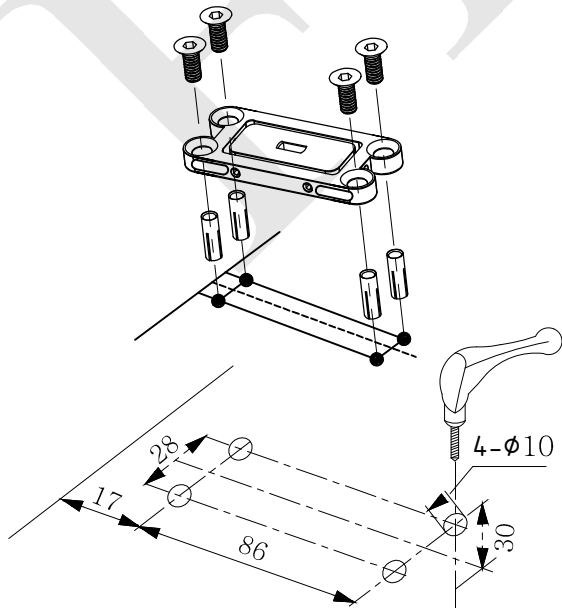
W = Glass Width (Max. 908mm)
 L = Glass Height
 H = Opening Height



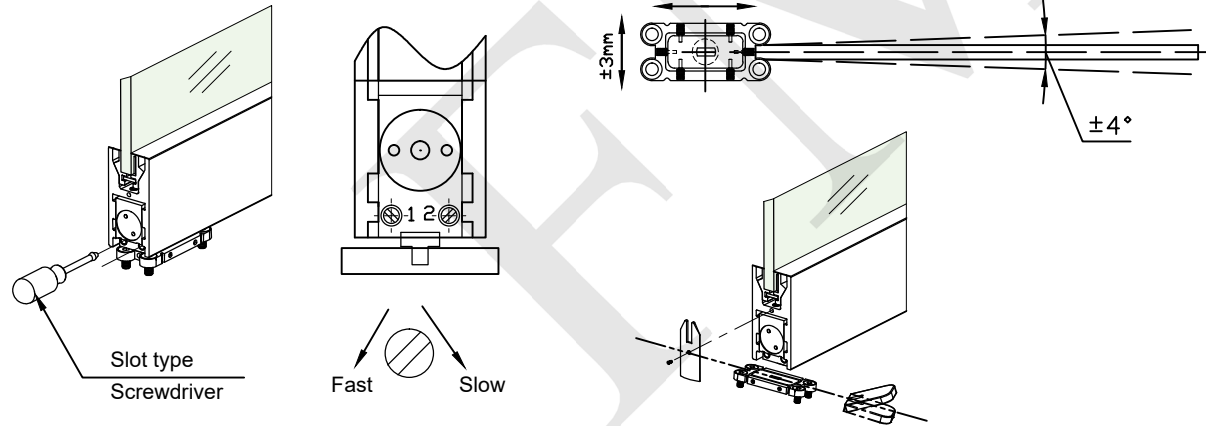
BOTTOM RAIL'S INSTALLATION ON THE GLASS DOOR



GROUND DRILLING, MOUNTING SCREWS & BASE PLATE



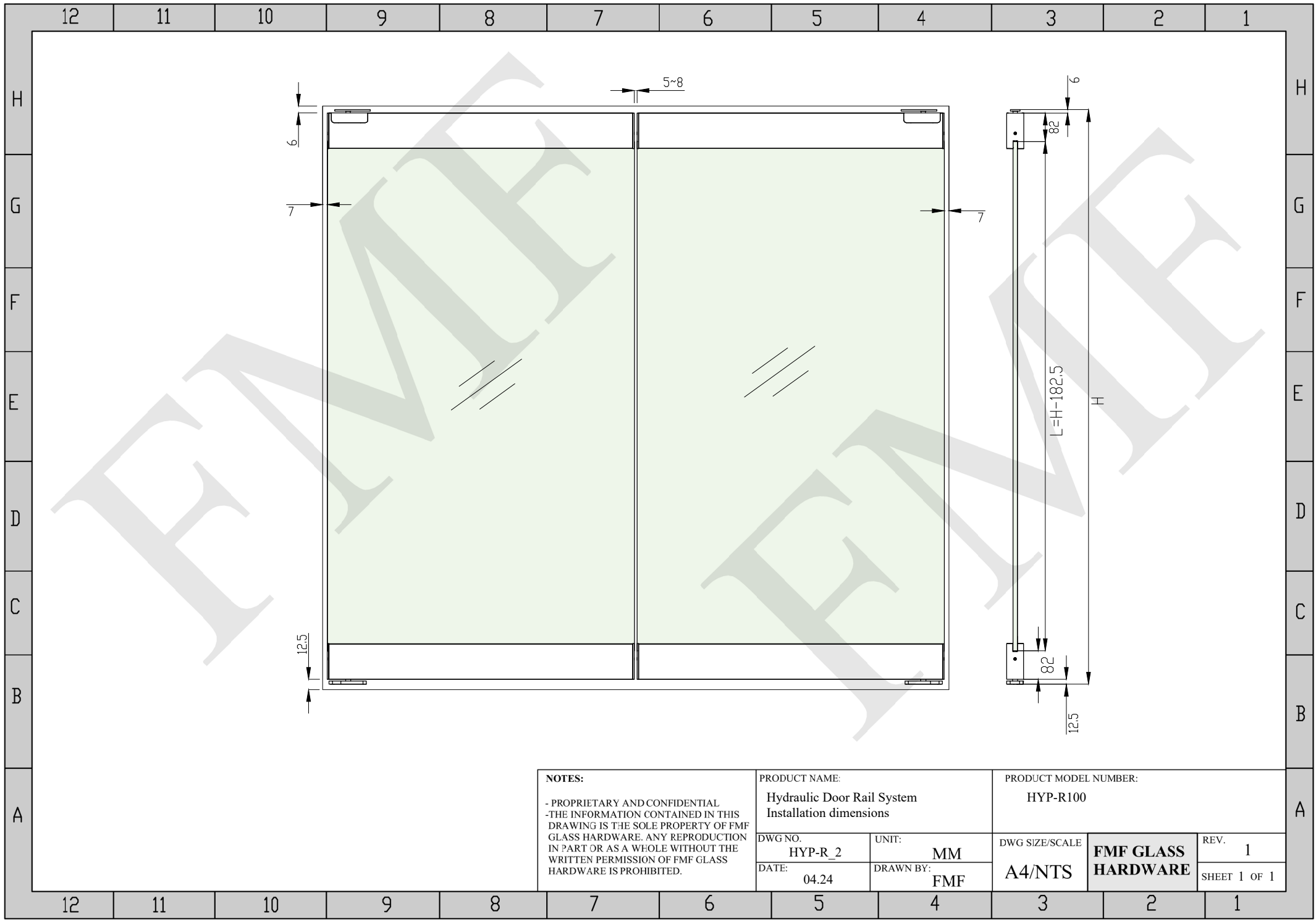
ADJUSTMENTS



Maximum Door weight capacity: 100kg

<p>NOTES:</p> <p>- PROPRIETARY AND CONFIDENTIAL -THE INFORMATION CONTAINED IN THIS DRAWING IS THE SOLE PROPERTY OF FMF GLASS HARDWARE. ANY REPRODUCTION IN PART OR AS A WHOLE WITHOUT THE WRITTEN PERMISSION OF FMF GLASS HARDWARE IS PROHIBITED.</p>	<p>PRODUCT NAME: Hydraulic Door Rail System</p>		<p>PRODUCT MODEL NUMBER: HYP-R100</p>		
	<p>DWG NO. HYP-R100_1</p>	<p>UNIT: MM</p>	<p>DWG SIZE/SCALE A4/NTS</p>	<p>FMF GLASS HARDWARE</p>	<p>REV. 1</p>
	<p>DATE: 04.24</p>	<p>DRAWN BY: FMF</p>	<p>SHEET 1 OF 1</p>		

12 11 10 9 8 7 6 5 4 3 2 1



NOTES:
 - PROPRIETARY AND CONFIDENTIAL
 - THE INFORMATION CONTAINED IN THIS DRAWING IS THE SOLE PROPERTY OF FMF GLASS HARDWARE. ANY REPRODUCTION IN PART OR AS A WHOLE WITHOUT THE WRITTEN PERMISSION OF FMF GLASS HARDWARE IS PROHIBITED.

PRODUCT NAME:
 Hydraulic Door Rail System
 Installation dimensions

DWG NO. HYP-R_2	UNIT: MM
DATE: 04.24	DRAWN BY: FMF

PRODUCT MODEL NUMBER:
 HYP-R100

DWG SIZE/SCALE A4/NTS	FMF GLASS HARDWARE	REV. 1
		SHEET 1 OF 1