

12 11 10 9 8 7 6 5 4 3 2 1

H

G

F

E

D

C

B

A

H

G

F

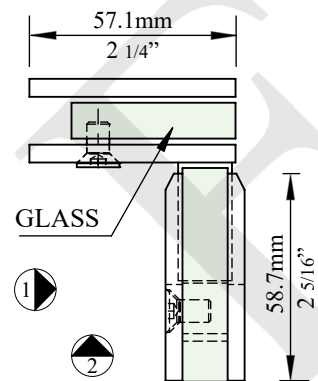
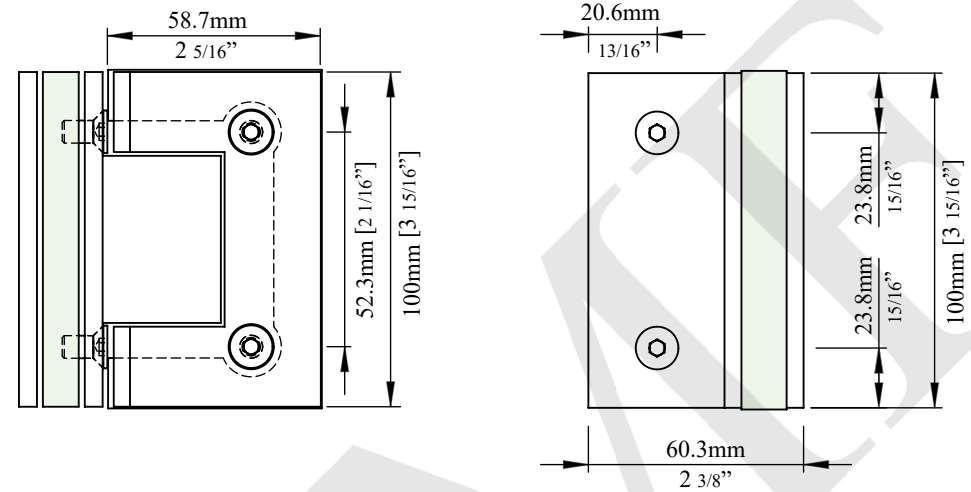
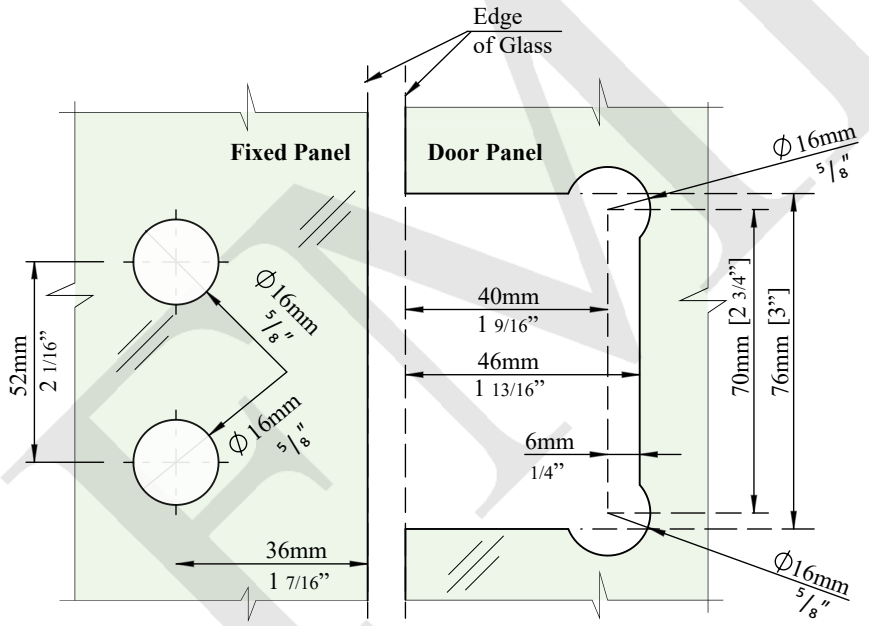
E

D

C

B

A



NOTES: - PROPRIETARY AND CONFIDENTIAL - THE INFORMATION CONTAINED IN THIS DRAWING IS THE SOLE PROPERTY OF FMF GLASS HARDWARE. ANY REPRODUCTION IN PART OR AS A WHOLE WITHOUT THE WRITTEN PERMISSION OF FMF GLASS HARDWARE IS PROHIBITED.	PRODUCT NAME: 90° Heavy Duty Glass-to-Glass Hinge		PRODUCT MODEL NUMBER: V204		
	DWG NO.: V204_1	UNIT: FT.-IN./MM	DWG SIZE/SCALE: A4/NTS	FMF GLASS HARDWARE	REV.: 1
	DATE: 11.22	DRAWN BY: FMF			SHEET 1 OF 1

12 11 10 9 8 7 6 5 4 3 2 1