

12 11 10 9 8 7 6 5 4 3 2 1

H

H

G

G

F

F

E

E

D

D

C

C

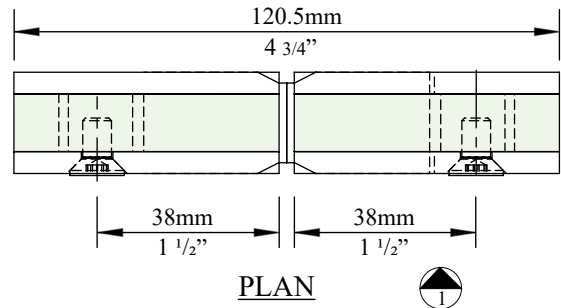
B

B

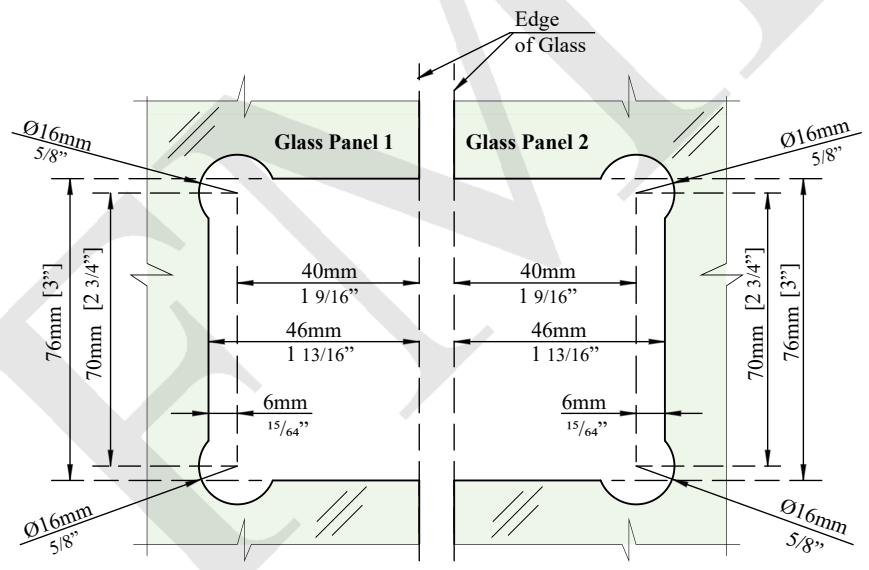
A

A

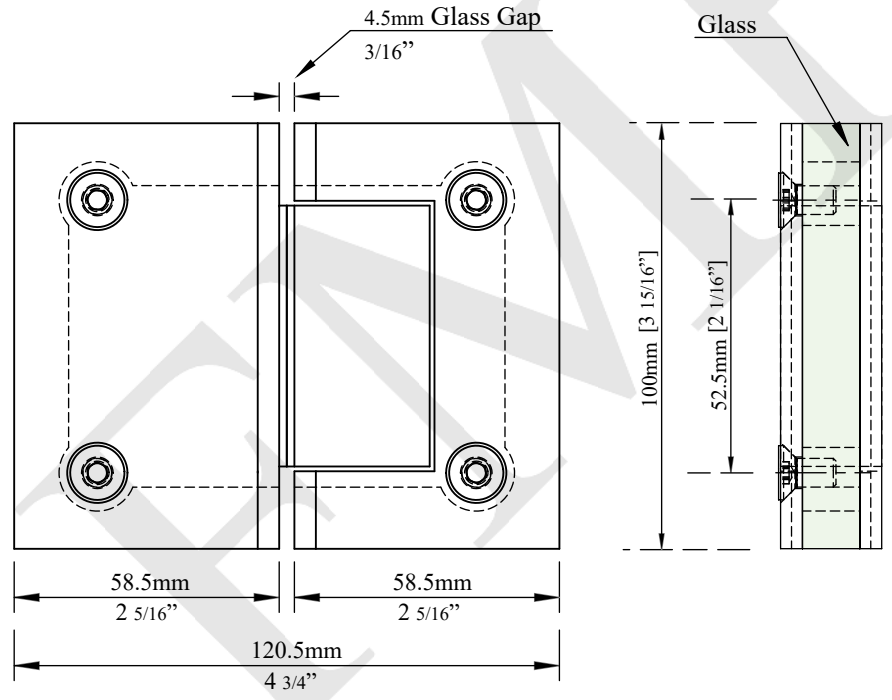
12 11 10 9 8 7 6 5 4 3 2 1



PLAN



GLASS FABRICATION



ELEVATION 1

ELEVATION 2

NOTES:
- PROPRIETARY AND CONFIDENTIAL.
- THE INFORMATION CONTAINED IN THIS DRAWING IS THE SOLE PROPERTY OF FMF GLASS HARDWARE. ANY REPRODUCTION IN PART OR AS A WHOLE WITHOUT THE WRITTEN PERMISSION OF FMF GLASS HARDWARE IS PROHIBITED.

PRODUCT NAME:
**180° HEAVY DUTY
GLASS-TO-GLASS HINGE**

DWG NO. V203_1
DATE: 11.22

UNIT:
FT.-IN./MM
DRAWN BY:
FMF

PRODUCT MODEL NUMBER:
V203

DWG SIZE/SCALE: A4/NTS

**FMF GLASS
HARDWARE**

REV. 1
SHEET 1 OF 1

12 11 10 9 8 7 6 5 4 3 2 1