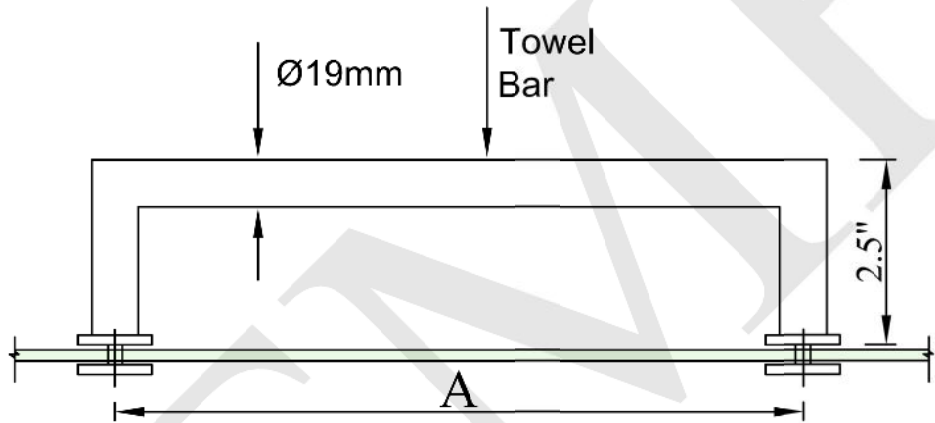


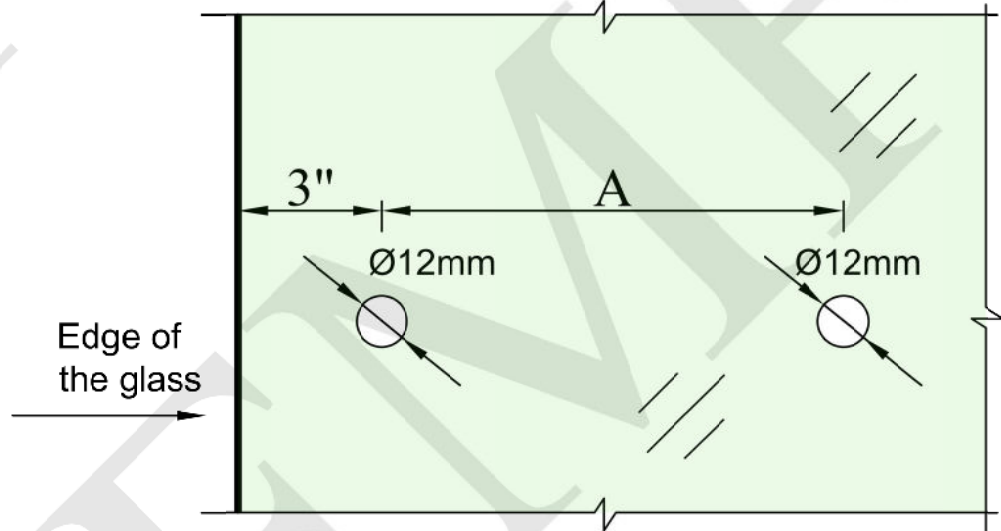
12 11 10 9 8 7 6 5 4 3 2 1

H
G
F
E
D
C
B
A

H
G
F
E
D
C
B
A



TOP VIEW



GLASS FABRICATION

MODEL	A
TS13-18	18"
TS13-24	24"

NOTES:
 - PROPRIETARY AND CONFIDENTIAL.
 - THE INFORMATION CONTAINED IN THIS DRAWING IS THE SOLE PROPERTY OF FMF GLASS HARDWARE. ANY REPRODUCTION IN PART OR AS A WHOLE WITHOUT THE WRITTEN PERMISSION OF FMF GLASS HARDWARE IS PROHIBITED.

PRODUCT NAME:
**Mitered Series
 Single-Sided Towel Bar**

DWG NO. TS13_1 UNIT: MM
 DATE: 05.23 DRAWN BY: FMF

PRODUCT MODEL NUMBER:
TS13

DWG SIZE/SCALE: A4/NTS
**FMF GLASS
 HARDWARE**

REV. 1
 SHEET 1 OF 1

12 11 10 9 8 7 6 5 4 3 2 1