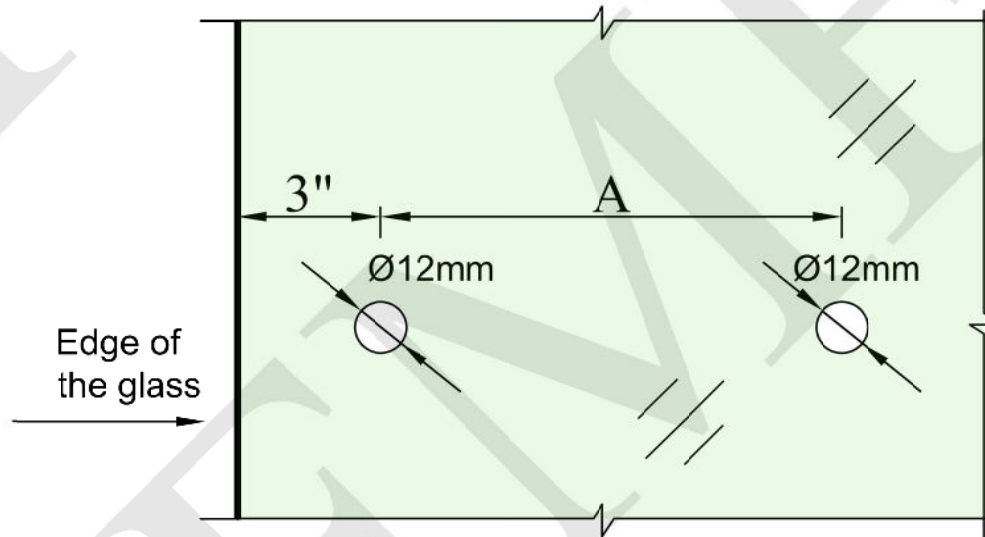


TOP VIEW



GLASS FABRICATION

MODEL	A
TS10-18	18"
TS10-24	24"

NOTES:

- PROPRIETARY AND CONFIDENTIAL.
 - THE INFORMATION CONTAINED IN THIS DRAWING IS THE SOLE PROPERTY OF FMF GLASS HARDWARE. ANY REPRODUCTION IN PART OR AS A WHOLE WITHOUT THE WRITTEN PERMISSION OF FMF GLASS HARDWARE IS PROHIBITED.

PRODUCT NAME:

Round Series
 Single-Sided Towel Bar

PRODUCT MODEL NUMBER:

TS10

DWG NO.
 TS10_1
 DATE:
 05.23

UNIT:
 MM
 DRAWN BY:
 FMF

DWG SIZE/SCALE
 A4/NTS

**FMF GLASS
 HARDWARE**

REV. 1
 SHEET 1 OF 1