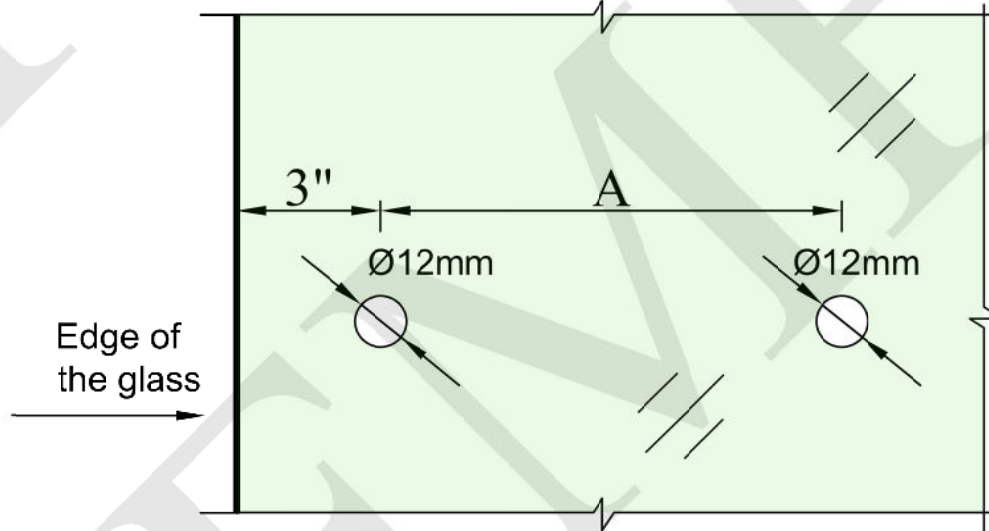


TOP VIEW



GLASS FABRICATION

MODEL	A
TD10-18	18"
TD10-24	24"

**NOTES:**

- PROPRIETARY AND CONFIDENTIAL.  
 - THE INFORMATION CONTAINED IN THIS DRAWING IS THE SOLE PROPERTY OF FMF GLASS HARDWARE. ANY REPRODUCTION IN PART OR AS A WHOLE WITHOUT THE WRITTEN PERMISSION OF FMF GLASS HARDWARE IS PROHIBITED.

PRODUCT NAME:

Round Series  
 Double-Sided Towel Bar

PRODUCT MODEL NUMBER:

TD10

DWG NO.  
 TD10\_1

UNIT:  
 MM

DWG SIZE/SCALE  
 A4/NTS

**FMF GLASS  
 HARDWARE**

REV. 1

DATE:  
 05.23

DRAWN BY:  
 FMF

SHEET 1 OF 1