

3.2

**NOTES:**  
 - PROPRIETARY AND CONFIDENTIAL  
 - THE INFORMATION CONTAINED IN THIS DRAWING IS THE SOLE PROPERTY OF FMF GLASS HARDWARE. ANY REPRODUCTION IN PART OR AS A WHOLE WITHOUT THE WRITTEN PERMISSION OF FMF GLASS HARDWARE IS PROHIBITED.

**PRODUCT NAME:**  
 Square Handrail Supports  
 (Fixed Saddle)

DWG NO. SRAIL-SP01\_1  
 DATE: 11.22

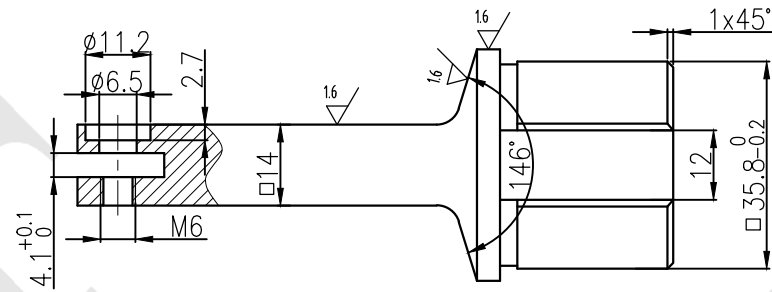
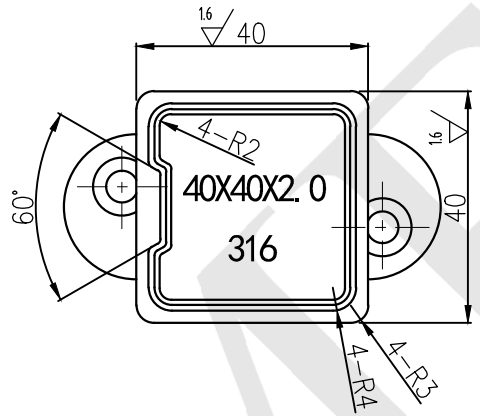
UNIT: MM  
 DRAWN BY: FMF

**PRODUCT MODEL NUMBER:**  
 SRAIL-SP01

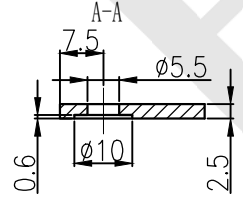
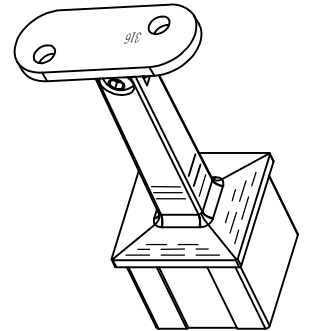
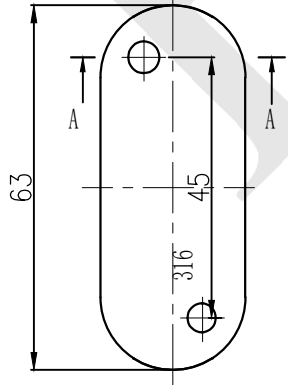
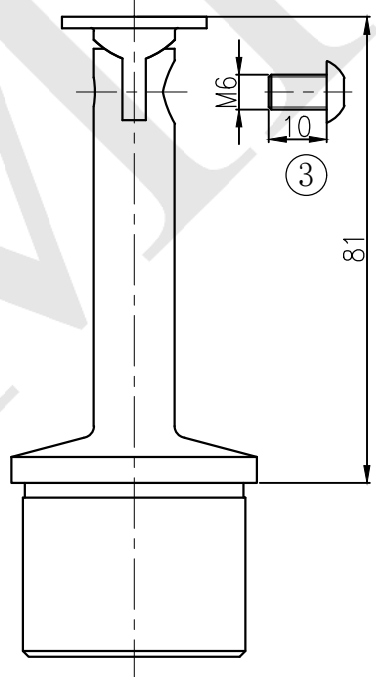
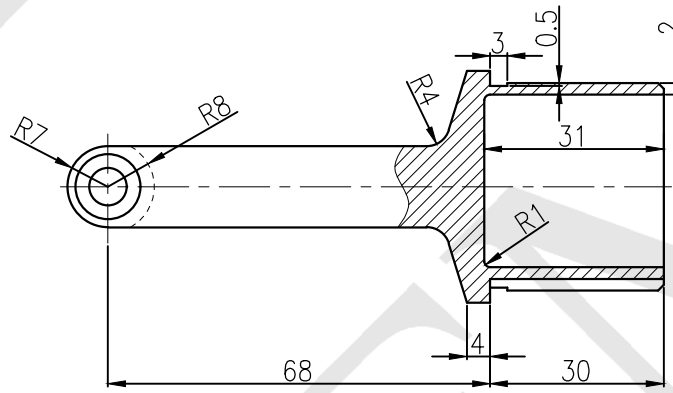
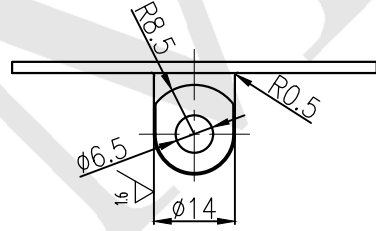
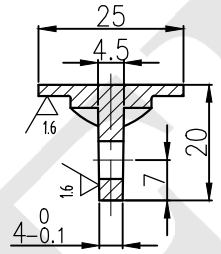
DWG SIZE/SCALE: A4/NTS

**FMF GLASS HARDWARE**

REV. 1  
 SHEET 1 OF 1



3.2



<b>NOTES:</b> - PROPRIETARY AND CONFIDENTIAL - THE INFORMATION CONTAINED IN THIS DRAWING IS THE SOLE PROPERTY OF FMF GLASS HARDWARE. ANY REPRODUCTION IN PART OR AS A WHOLE WITHOUT THE WRITTEN PERMISSION OF FMF GLASS HARDWARE IS PROHIBITED.	<b>PRODUCT NAME:</b> Square Handrail Supports (Movable Saddle)		<b>PRODUCT MODEL NUMBER:</b> SRAIL-SP02		
	<b>DWG NO.</b> SRAIL-SP02_1	<b>UNIT:</b> MM	<b>DWG SIZE/SCALE</b> A4/NTS	<b>FMF GLASS HARDWARE</b>	<b>REV.</b> 1
	<b>DATE:</b> 11.22	<b>DRAWN BY:</b> FMF	<b>SHEET 1 OF 1</b>		