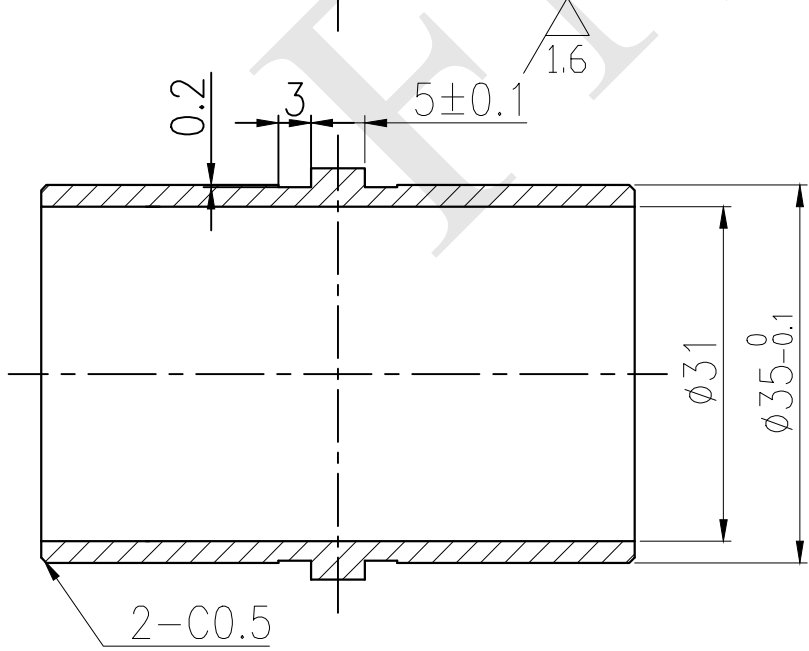
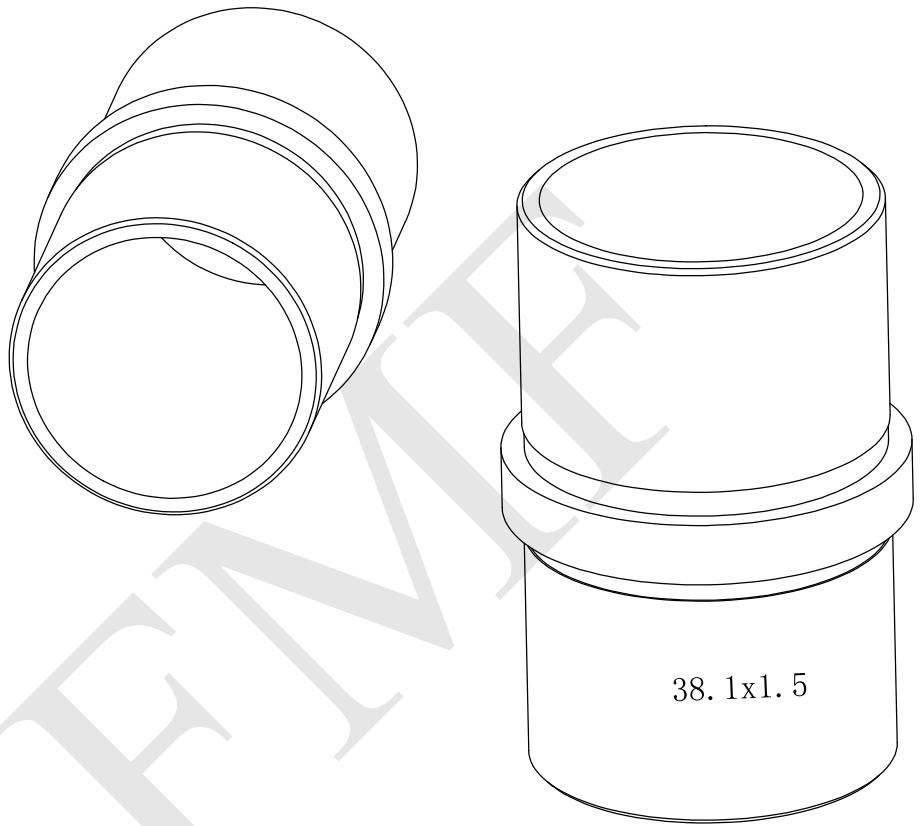
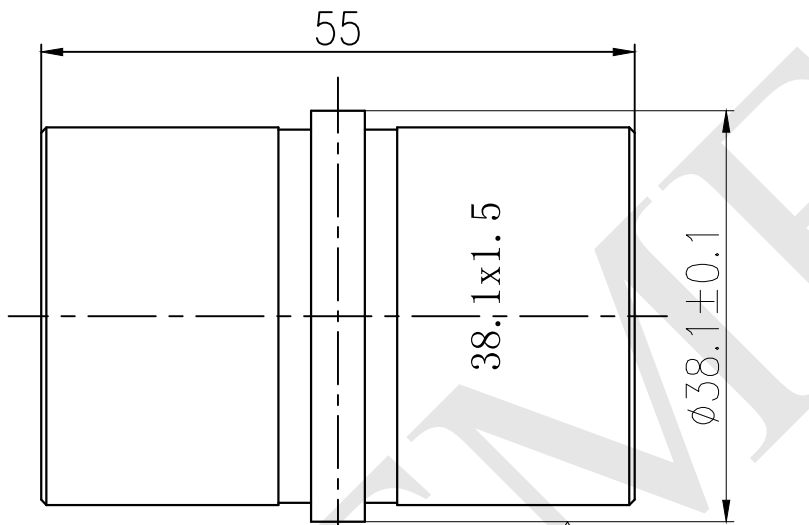


12 11 10 9 8 7 6 5 4 3 2 1

3.2



NOTES: - PROPRIETARY AND CONFIDENTIAL - THE INFORMATION CONTAINED IN THIS DRAWING IS THE SOLE PROPERTY OF FMF GLASS HARDWARE. ANY REPRODUCTION IN PART OR AS A WHOLE WITHOUT THE WRITTEN PERMISSION OF FMF GLASS HARDWARE IS PROHIBITED.	PRODUCT NAME: Straight tube Connector for 38.1mm Round Handrail		PRODUCT MODEL NUMBER: SCC-381		
	DWG NO. SCC-381_1	UNIT: MM	DWG SIZE/SCALE A4/NTS	FMF GLASS HARDWARE	REV. 1
	DATE: 01.23	DRAWN BY: FMF	A4/NTS	FMF GLASS HARDWARE	SHEET 1 OF 1

12 11 10 9 8 7 6 5 4 3 2 1