

NOTES:
 - PROPRIETARY AND CONFIDENTIAL
 - THE INFORMATION CONTAINED IN THIS DRAWING IS THE SOLE PROPERTY OF FMF GLASS HARDWARE. ANY REPRODUCTION IN PART OR AS A WHOLE WITHOUT THE WRITTEN PERMISSION OF FMF GLASS HARDWARE IS PROHIBITED.

PRODUCT NAME:
**Base Flange Cover
 for Round railing posts**

DWG NO.
RPA-01_1

DATE:
11.22

UNIT:
MM

DRAWN BY:
FMF

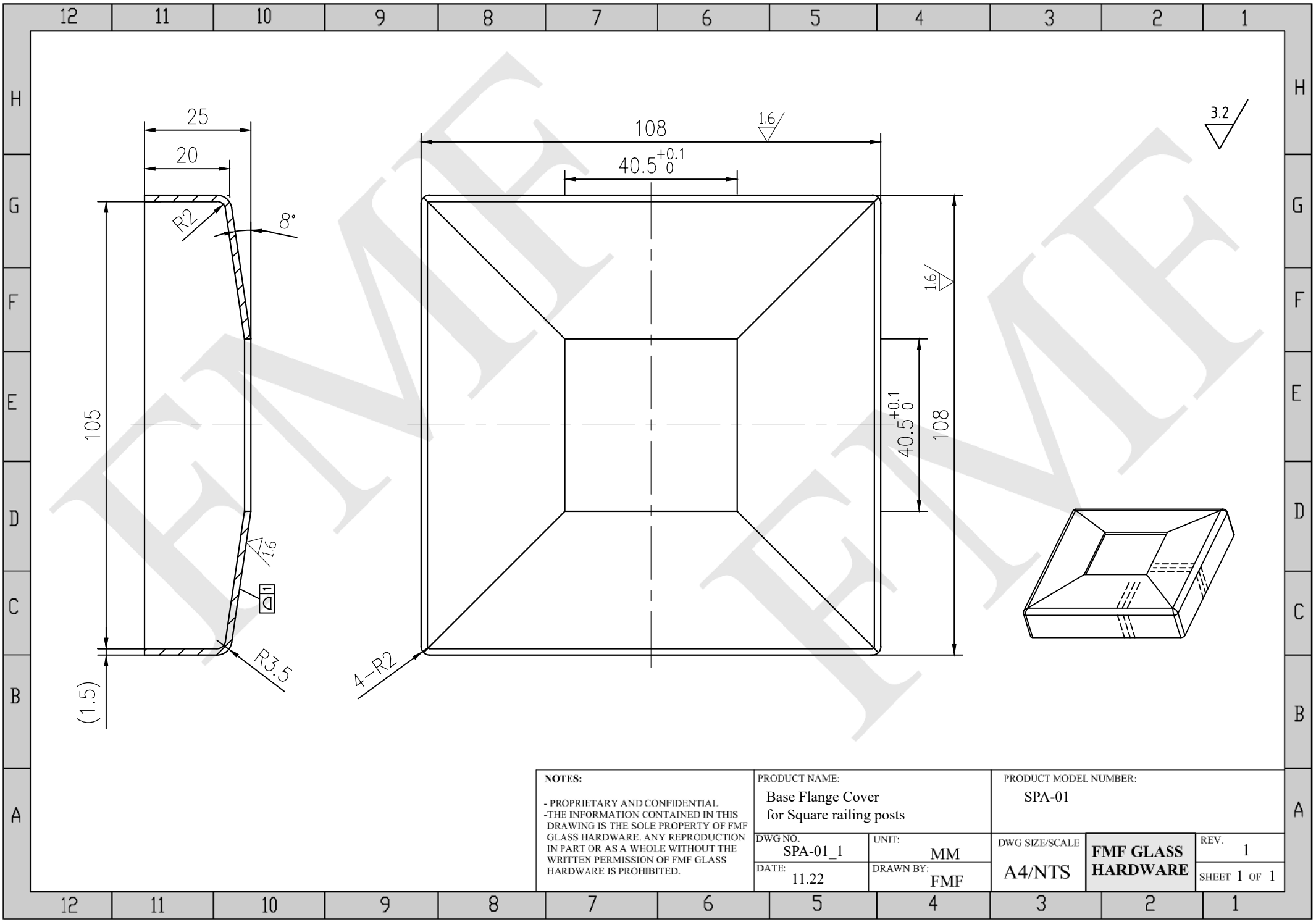
PRODUCT MODEL NUMBER:
RPA-01

DWG SIZE/SCALE
A4/NTS

REV. **1**
 SHEET 1 OF 1

**FMF GLASS
 HARDWARE**

	12	11	10	9	8	7	6	5	4	3	2	1	
H													H
G													G
F													F
E													E
D													D
C													C
B													B
A													A
	12	11	10	9	8	7	6	5	4	3	2	1	



NOTES:
 - PROPRIETARY AND CONFIDENTIAL
 - THE INFORMATION CONTAINED IN THIS DRAWING IS THE SOLE PROPERTY OF FMF GLASS HARDWARE. ANY REPRODUCTION IN PART OR AS A WHOLE WITHOUT THE WRITTEN PERMISSION OF FMF GLASS HARDWARE IS PROHIBITED.

PRODUCT NAME:
**Base Flange Cover
 for Square railing posts**

DWG NO.
 SPA-01_1

DATE:
 11.22

UNIT:
 MM

DRAWN BY:
 FMF

PRODUCT MODEL NUMBER:
 SPA-01

DWG SIZE/SCALE
 A4/NTS

REV. **1**
 SHEET 1 OF 1

**FMF GLASS
 HARDWARE**