

12

11

10

9

8

7

6

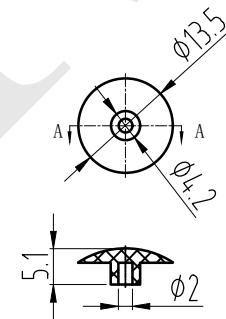
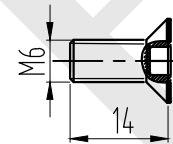
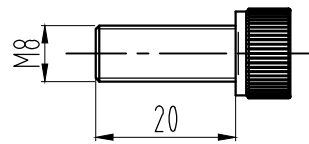
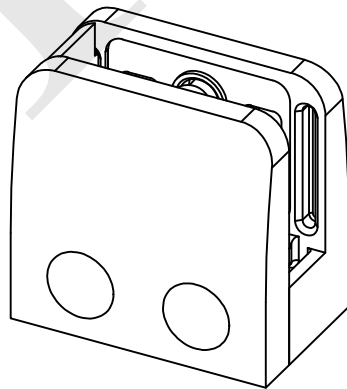
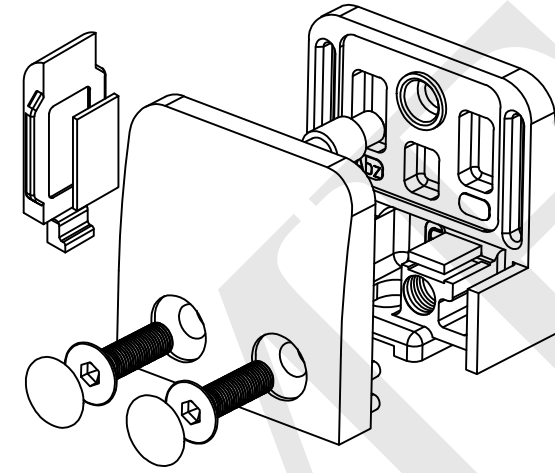
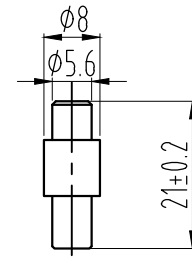
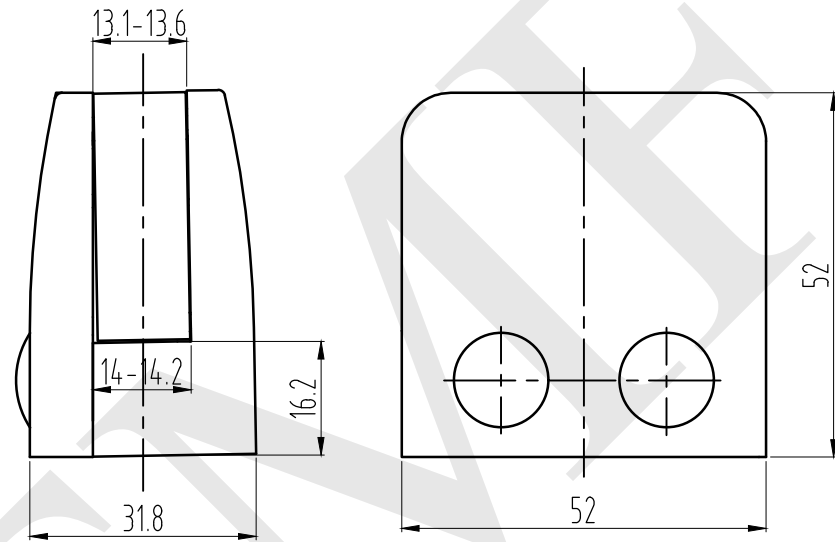
5

4

3

2

1



NOTES:

- PROPRIETARY AND CONFIDENTIAL
 - THE INFORMATION CONTAINED IN THIS DRAWING IS THE SOLE PROPERTY OF FMF GLASS HARDWARE. ANY REPRODUCTION IN PART OR AS A WHOLE WITHOUT THE WRITTEN PERMISSION OF FMF GLASS HARDWARE IS PROHIBITED.

PRODUCT NAME:

52MM ZINC RAILING CLAMP

PRODUCT MODEL NUMBER:

RCS-06

DWG NO.

RCS-06_1

UNIT:

MM

DWG SIZE/SCALE

A4/NTS

FMF GLASS HARDWARE

REV.

1

DATE: 02.23

DRAWN BY: FMF

SHEET 1 OF 1

12

11

10

9

8

7

6

5

4

3

2

1