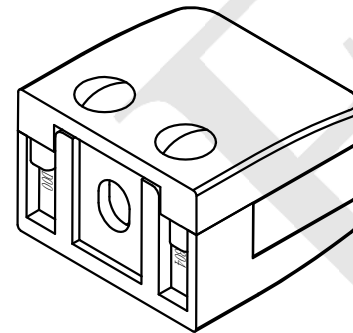
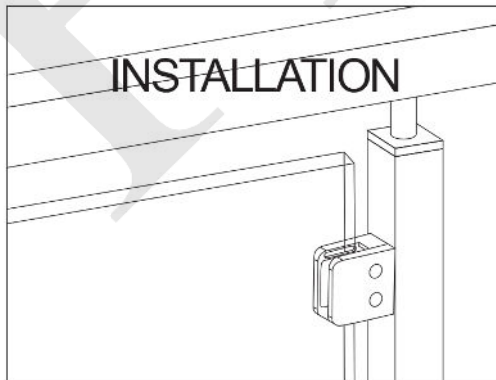


**GLASS FABRICATION**



**NOTES:**

- PROPRIETARY AND CONFIDENTIAL.  
 - THE INFORMATION CONTAINED IN THIS DRAWING IS THE SOLE PROPERTY OF FMF GLASS HARDWARE. ANY REPRODUCTION IN PART OR AS A WHOLE WITHOUT THE WRITTEN PERMISSION OF FMF GLASS HARDWARE IS PROHIBITED.

**PRODUCT NAME:**

50mm Glass Railing  
 Clamp

**DWG NO.**

RCS-02\_1

**DATE:**

11.22

**UNIT:**

FT.-IN./MM

**DRAWN BY:**

FMF

**PRODUCT MODEL NUMBER:**

RCS-02

**DWG SIZE/SCALE**

A4/NTS

**FMF GLASS  
 HARDWARE**

**REV.**

1

SHEET 1 OF 1