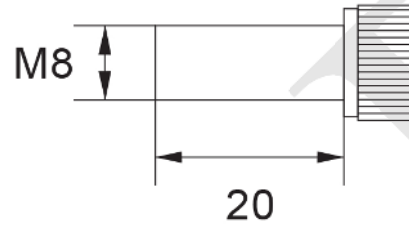
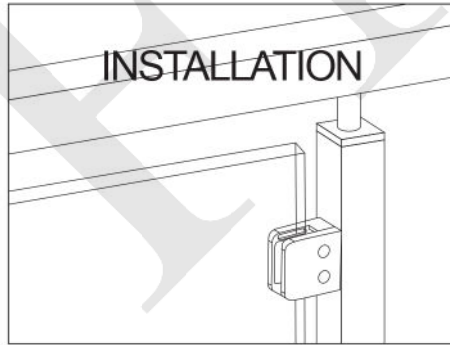


GLASS FABRICATION



NOTES:
 - PROPRIETARY AND CONFIDENTIAL.
 - THE INFORMATION CONTAINED IN THIS DRAWING IS THE SOLE PROPERTY OF FMF GLASS HARDWARE. ANY REPRODUCTION IN PART OR AS A WHOLE WITHOUT THE WRITTEN PERMISSION OF FMF GLASS HARDWARE IS PROHIBITED.

PRODUCT NAME:
45mm Glass Railing Clamp

PRODUCT MODEL NUMBER:
RCS-01

DWG NO.
RCS-01_1
 DATE:
11.22

UNIT:
FT.-IN./MM
 DRAWN BY:
FMF

DWG SIZE/SCALE
A4/NTS

REV. **1**
FMF GLASS HARDWARE
 SHEET 1 OF 1