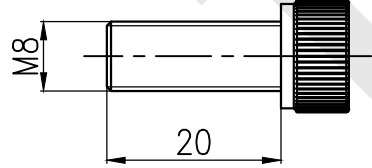
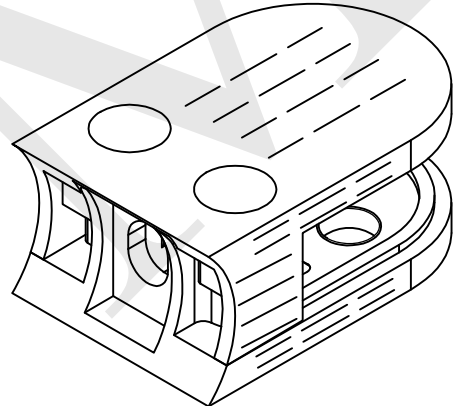
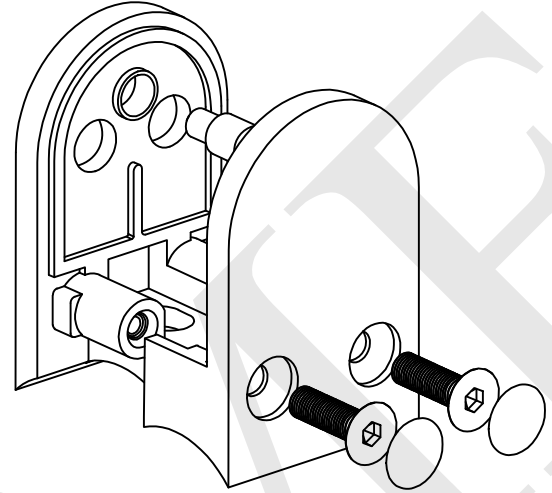
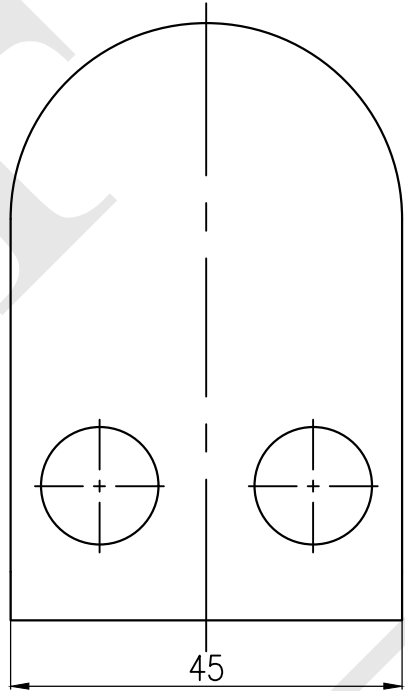
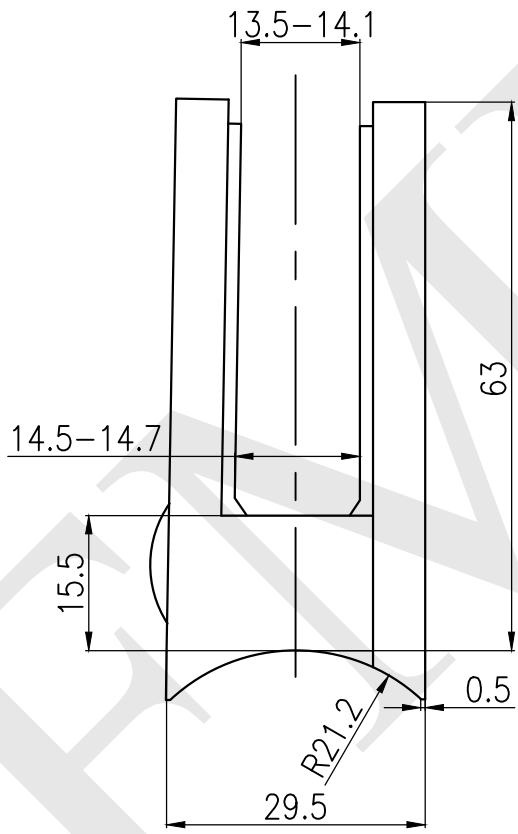


12 11 10 9 8 7 6 5 4 3 2 1



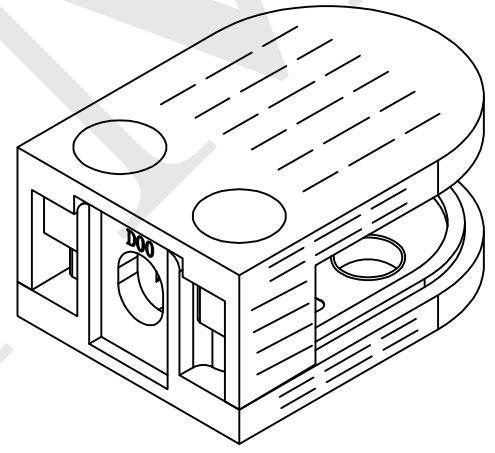
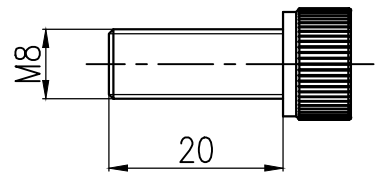
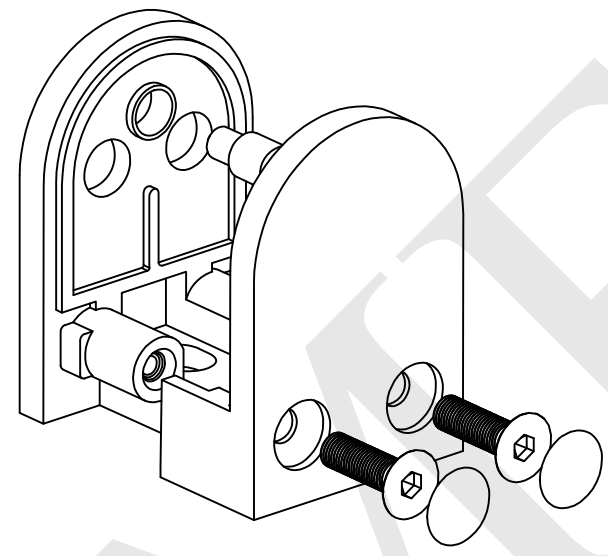
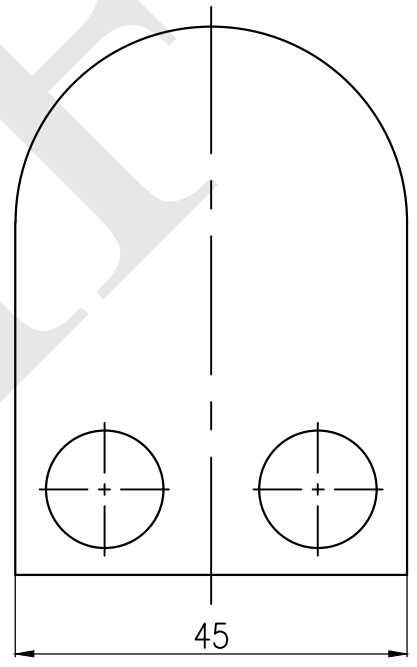
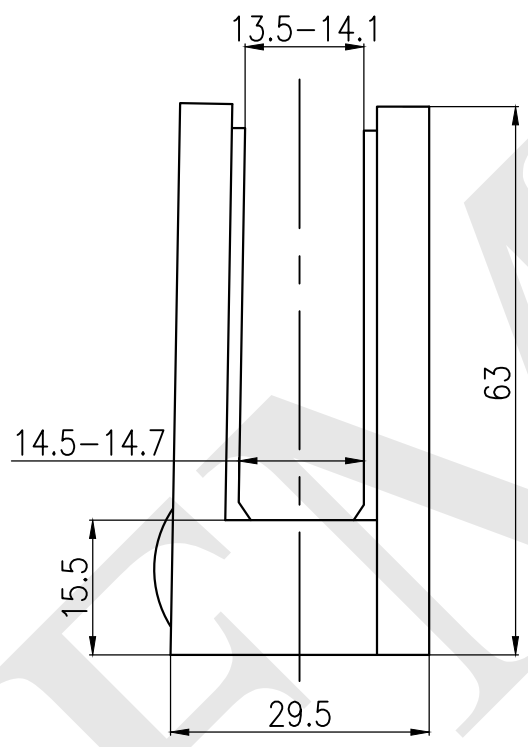
NOTES: - PROPRIETARY AND CONFIDENTIAL - THE INFORMATION CONTAINED IN THIS DRAWING IS THE SOLE PROPERTY OF FMF GLASS HARDWARE. ANY REPRODUCTION IN PART OR AS A WHOLE WITHOUT THE WRITTEN PERMISSION OF FMF GLASS HARDWARE IS PROHIBITED.	PRODUCT NAME: Round Glass Railing Clamp - Round Base		PRODUCT MODEL NUMBER: RCR-01		
	DWG NO. RCR-01_1	UNIT: MM	DWG SIZE/SCALE A4/NTS	FMF GLASS HARDWARE	REV. 1
	DATE: 01.23	DRAWN BY: FMF	SHEET 1 OF 1		

12 11 10 9 8 7 6 5 4 3 2 1

12 11 10 9 8 7 6 5 4 3 2 1

H
G
F
E
D
C
B
A

H
G
F
E
D
C
B
A



<p>NOTES:</p> <p>- PROPRIETARY AND CONFIDENTIAL - THE INFORMATION CONTAINED IN THIS DRAWING IS THE SOLE PROPERTY OF FMF GLASS HARDWARE. ANY REPRODUCTION IN PART OR AS A WHOLE WITHOUT THE WRITTEN PERMISSION OF FMF GLASS HARDWARE IS PROHIBITED.</p>	<p>PRODUCT NAME: Round Glass Railing Clamp - Flat Base</p>		<p>PRODUCT MODEL NUMBER: RCR-02</p>		
	<p>DWG NO. RCR-02_1</p>	<p>UNIT: MM</p>	<p>DWG SIZE/SCALE A4/NTS</p>	<p>FMF GLASS HARDWARE</p>	
	<p>DATE: 01.23</p>	<p>DRAWN BY: FMF</p>		<p>REV. 1</p>	
				<p>SHEET 1 OF 1</p>	

12 11 10 9 8 7 6 5 4 3 2 1