

12

11

10

9

8

7

6

5

4

3

2

1

H

G

F

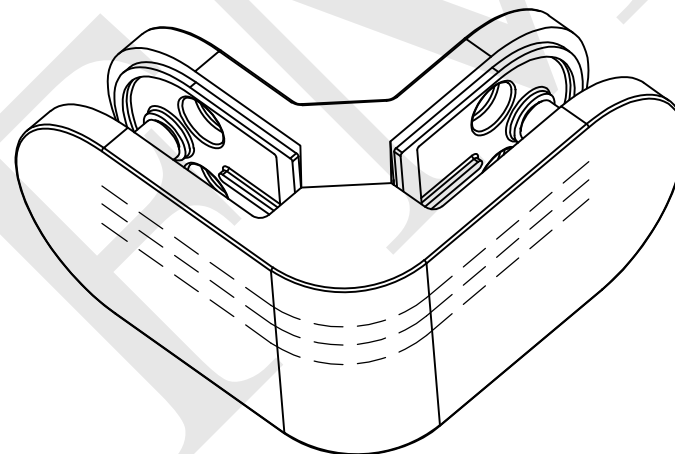
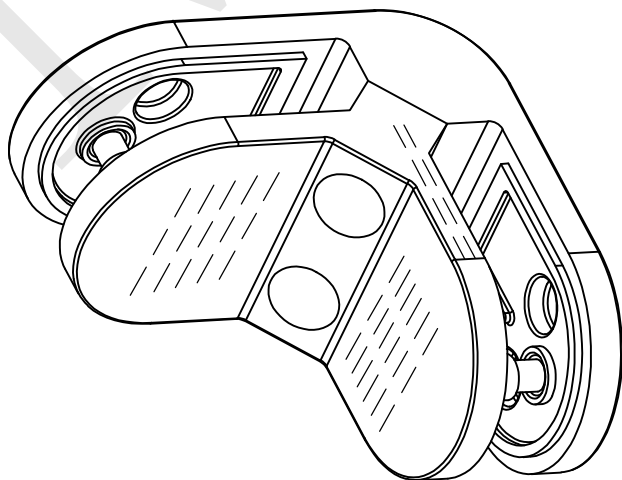
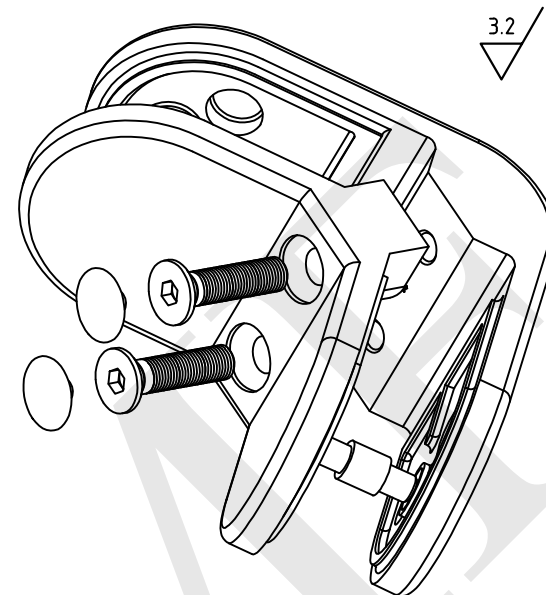
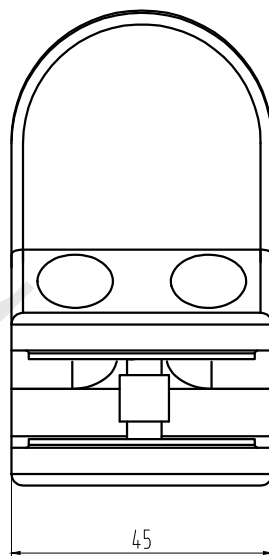
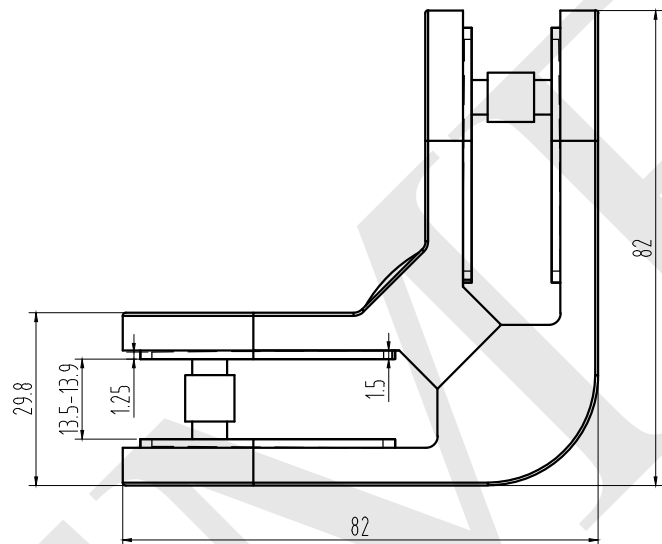
E

D

C

B

A



**NOTES:**

- PROPRIETARY AND CONFIDENTIAL  
 - THE INFORMATION CONTAINED IN THIS DRAWING IS THE SOLE PROPERTY OF FMF GLASS HARDWARE. ANY REPRODUCTION IN PART OR AS A WHOLE WITHOUT THE WRITTEN PERMISSION OF FMF GLASS HARDWARE IS PROHIBITED.

**PRODUCT NAME:**

90° Round Glass-to-Glass Railing Bracket

**PRODUCT MODEL NUMBER:**

RCG-R90

**DWG NO.**

RCG-R90\_1

**UNIT:**

MM

**DWG SIZE/SCALE**

A4/NTS

**FMF GLASS  
HARDWARE**

**REV.**

1

**DATE:**

01.23

**DRAWN BY:**

FMF

SHEET 1 OF 1

12

11

10

9

8

7

6

5

4

3

2

1