

12 11 10 9 8 7 6 5 4 3 2 1

H

G

F

E

D

C

B

A

H

G

F

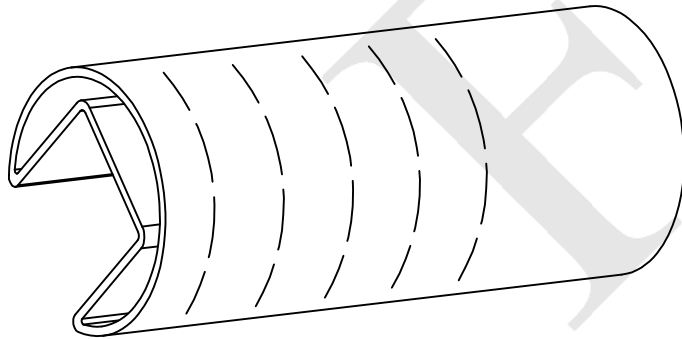
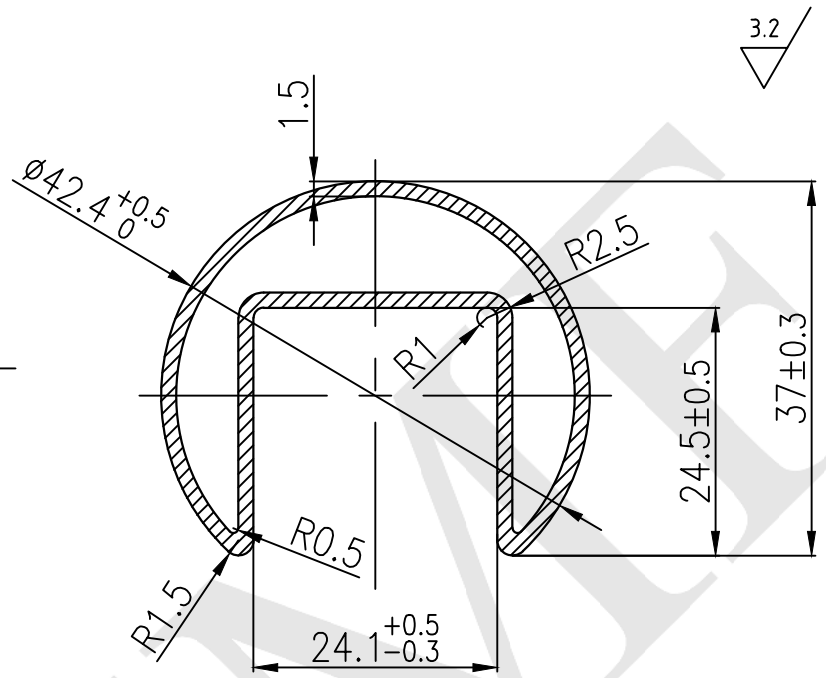
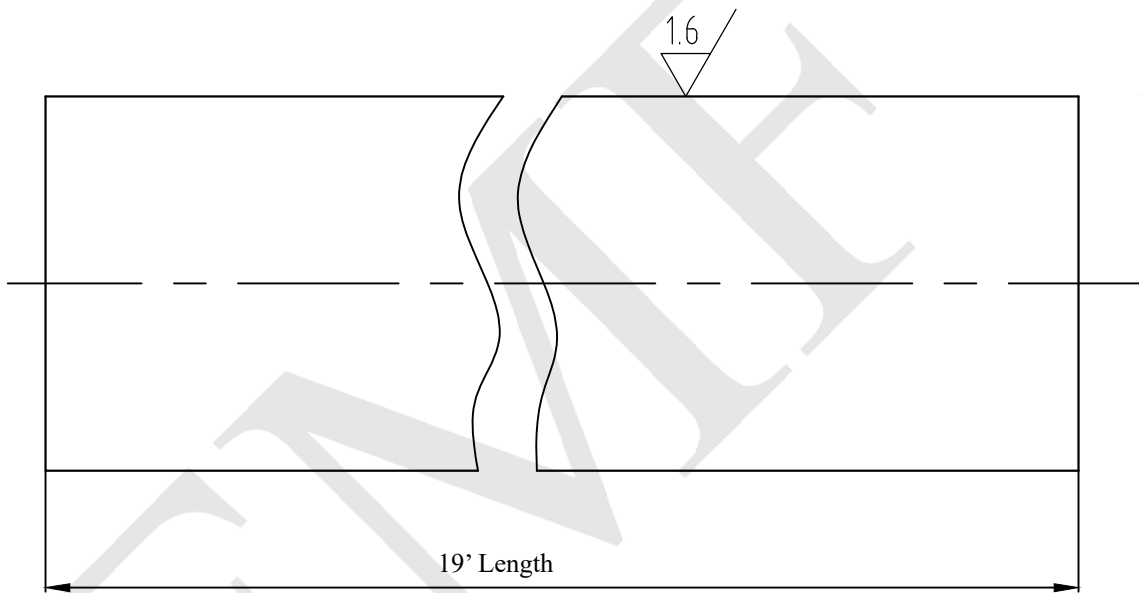
E

D

C

B

A



NOTES: - PROPRIETARY AND CONFIDENTIAL. - THE INFORMATION CONTAINED IN THIS DRAWING IS THE SOLE PROPERTY OF FMF GLASS HARDWARE. ANY REPRODUCTION IN PART OR AS A WHOLE WITHOUT THE WRITTEN PERMISSION OF FMF GLASS HARDWARE IS PROHIBITED.	PRODUCT NAME: 42.4mm Cap Handrail		PRODUCT MODEL NUMBER: RAIL-C42.SS		
	DWG NO. RAIL-C42.SS_1	UNIT: MM	DWG SIZE/SCALE A4/NTS	FMF GLASS HARDWARE	REV. 1
	DATE: 10.22	DRAWN BY: FMF			SHEET 1 OF 1

12 11 10 9 8 7 6 5 4 3 2 1