

12 11 10 9 8 7 6 5 4 3 2 1

H

H

G

G

F

F

E

E

D

D

C

C

B

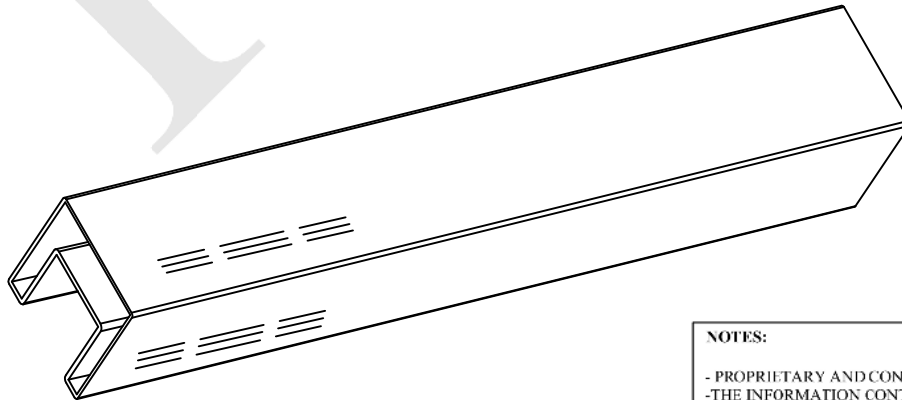
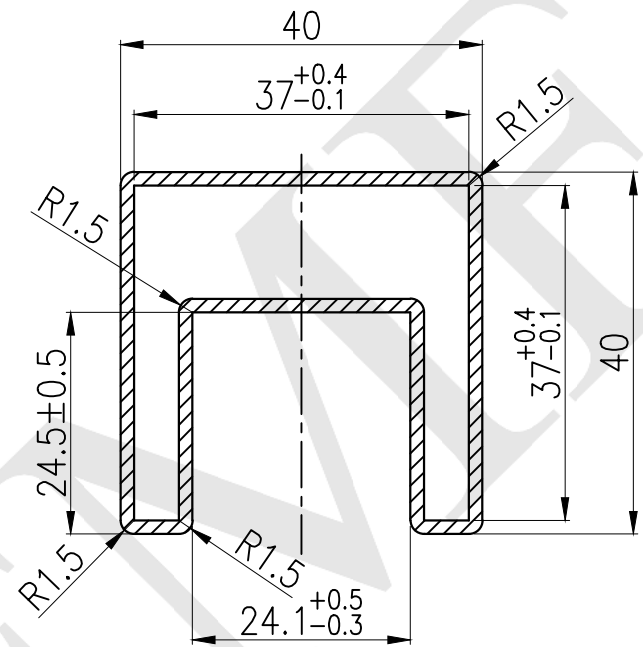
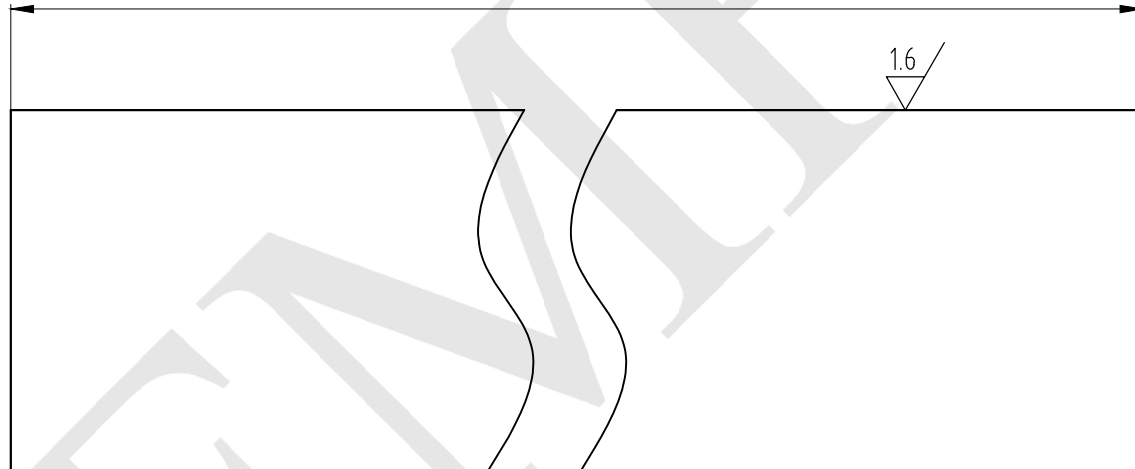
B

A

A

3.2

16.4' Feet Length



**NOTES:**  
 - PROPRIETARY AND CONFIDENTIAL  
 - THE INFORMATION CONTAINED IN THIS DRAWING IS THE SOLE PROPERTY OF FMF GLASS HARDWARE. ANY REPRODUCTION IN PART OR AS A WHOLE WITHOUT THE WRITTEN PERMISSION OF FMF GLASS HARDWARE IS PROHIBITED.

PRODUCT NAME:  
40x40mm Cap-Handrail

PRODUCT MODEL NUMBER:  
RAIL-C40

DWG NO. RAIL-C40\_1  
 DATE: 11.22  
 UNIT: MM  
 DRAWN BY: FMF

DWG SIZE/SCALE  
A4/NTS

REV. 1  
 SHEET 1 OF 1  
**FMF GLASS HARDWARE**

12 11 10 9 8 7 6 5 4 3 2 1