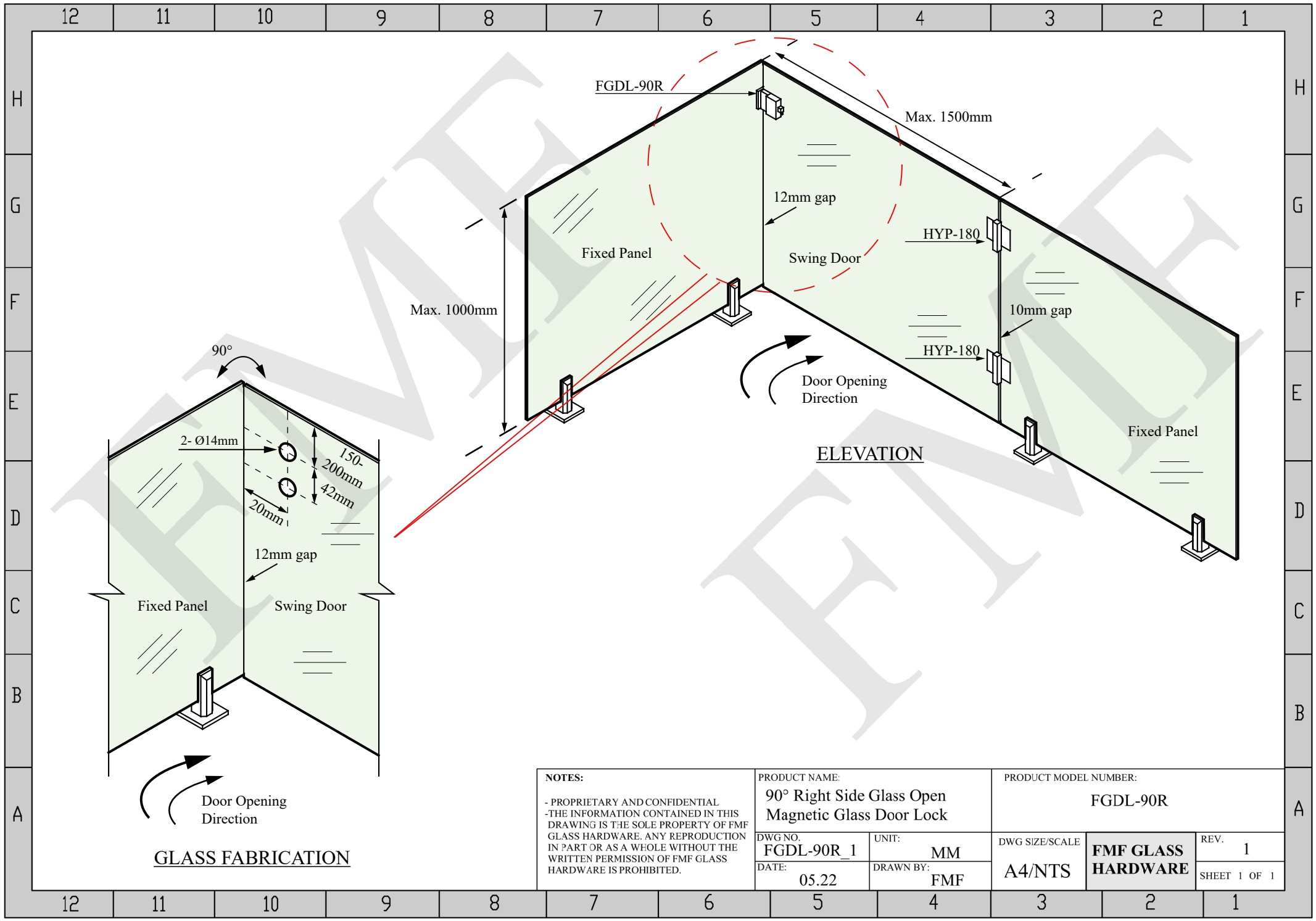


ELEVATION

GLASS FABRICATION

NOTES: - PROPRIETARY AND CONFIDENTIAL - THE INFORMATION CONTAINED IN THIS DRAWING IS THE SOLE PROPERTY OF FMF GLASS HARDWARE. ANY REPRODUCTION IN PART OR AS A WHOLE WITHOUT THE WRITTEN PERMISSION OF FMF GLASS HARDWARE IS PROHIBITED.	PRODUCT NAME: 90° Left Side Glass Open Magnetic Glass Door Lock		PRODUCT MODEL NUMBER: FGDL-90L		
	DWG NO. FGDL-90L_1	UNIT: MM	DWG SIZE/SCALE A4/NTS	FMF GLASS HARDWARE	REV. 1
	DATE: 05.22	DRAWN BY: FMF	SHEET 1 OF 1		



FGDL-90R

Max. 1500mm

12mm gap

Fixed Panel

Swing Door

HYP-180

Max. 1000mm

10mm gap

Fixed Panel

Door Opening Direction

ELEVATION

90°

2- Ø14mm

150-200mm
42mm

20mm

12mm gap

Fixed Panel

Swing Door

Door Opening Direction

GLASS FABRICATION

NOTES:

- PROPRIETARY AND CONFIDENTIAL
- THE INFORMATION CONTAINED IN THIS DRAWING IS THE SOLE PROPERTY OF FMF GLASS HARDWARE. ANY REPRODUCTION IN PART OR AS A WHOLE WITHOUT THE WRITTEN PERMISSION OF FMF GLASS HARDWARE IS PROHIBITED.

PRODUCT NAME:

90° Right Side Glass Open
Magnetic Glass Door Lock

PRODUCT MODEL NUMBER:

FGDL-90R

DWG NO.
FGDL-90R_1

UNIT:
MM

DWG SIZE/SCALE

**FMF GLASS
HARDWARE**

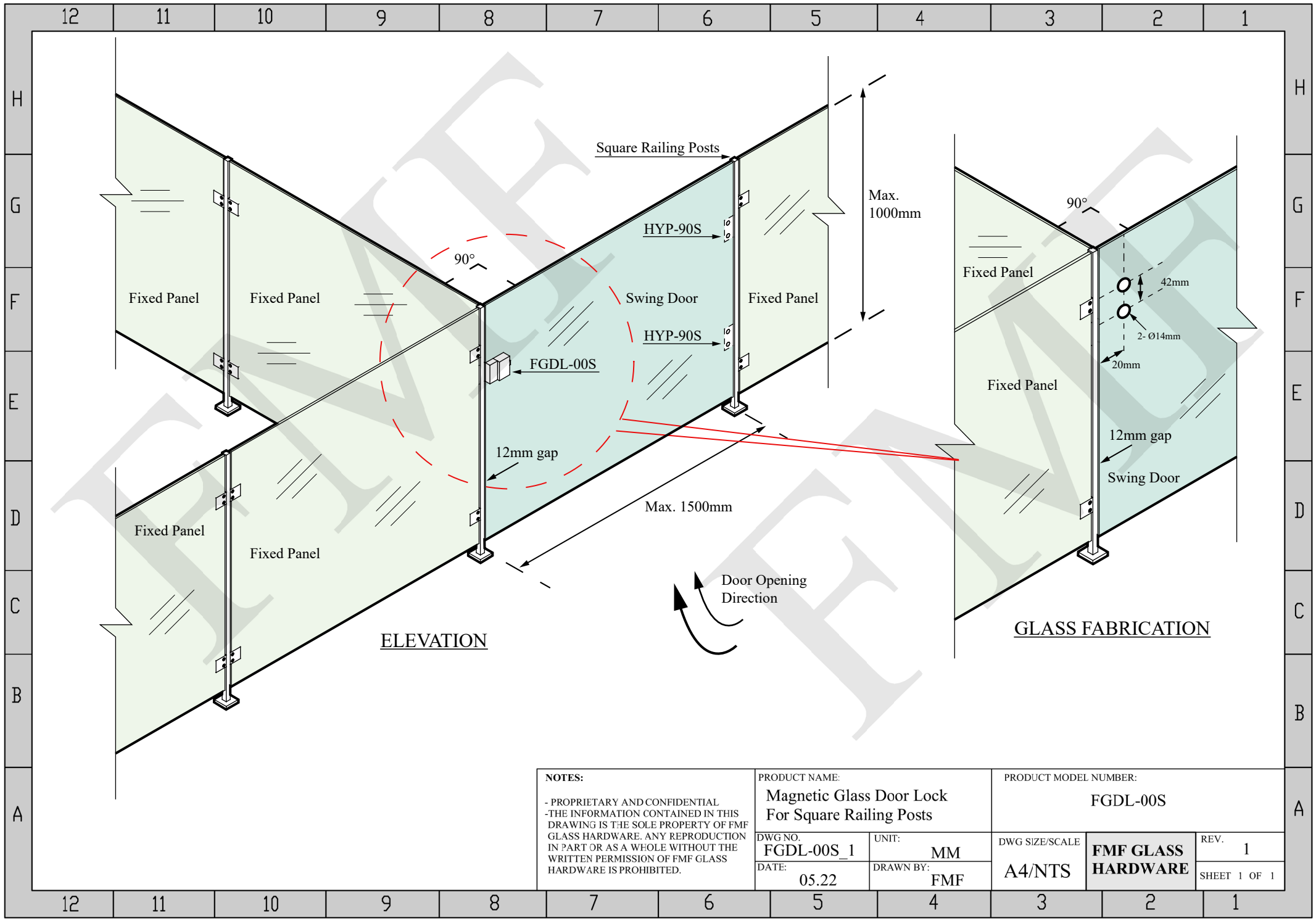
REV. 1

DATE:
05.22

DRAWN BY:
FMF

A4/NTS

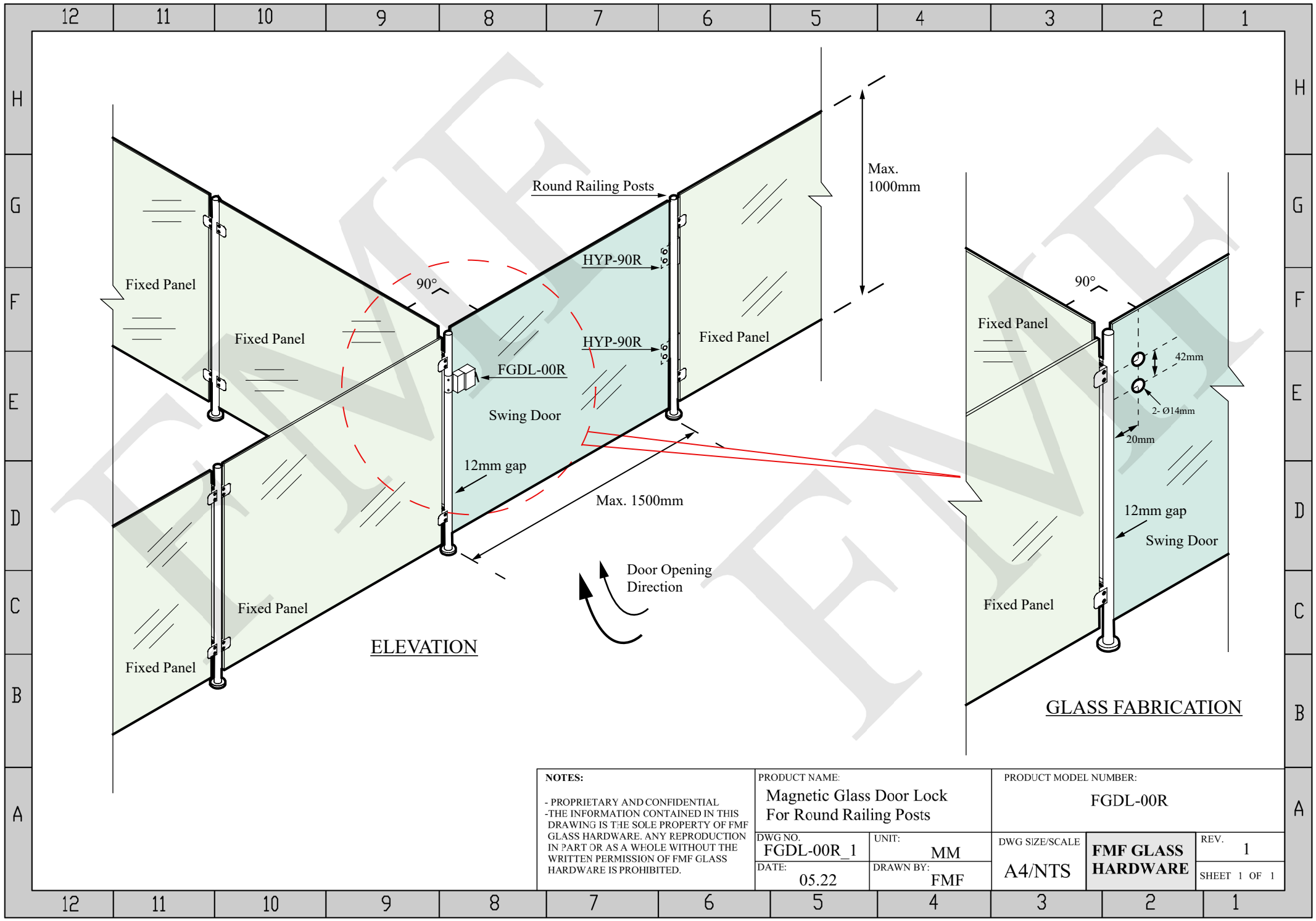
SHEET 1 OF 1



ELEVATION

GLASS FABRICATION

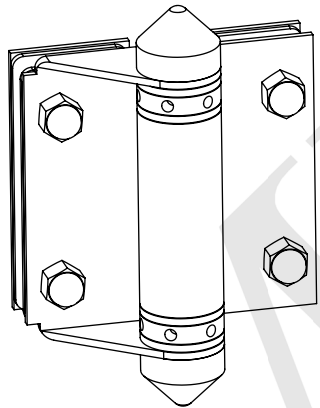
NOTES: - PROPRIETARY AND CONFIDENTIAL - THE INFORMATION CONTAINED IN THIS DRAWING IS THE SOLE PROPERTY OF FMF GLASS HARDWARE. ANY REPRODUCTION IN PART OR AS A WHOLE WITHOUT THE WRITTEN PERMISSION OF FMF GLASS HARDWARE IS PROHIBITED.	PRODUCT NAME: Magnetic Glass Door Lock For Square Railing Posts		PRODUCT MODEL NUMBER: FGDL-00S		
	DWG NO. FGDL-00S_1	UNIT: MM	DWG SIZE/SCALE A4/NTS	FMF GLASS HARDWARE	REV. 1
	DATE: 05.22	DRAWN BY: FMF			SHEET 1 OF 1



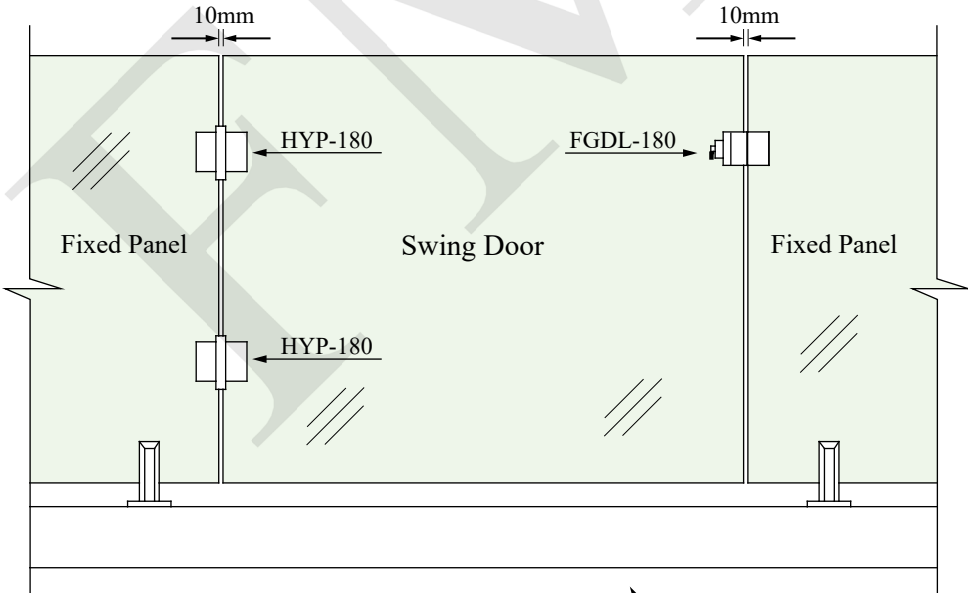
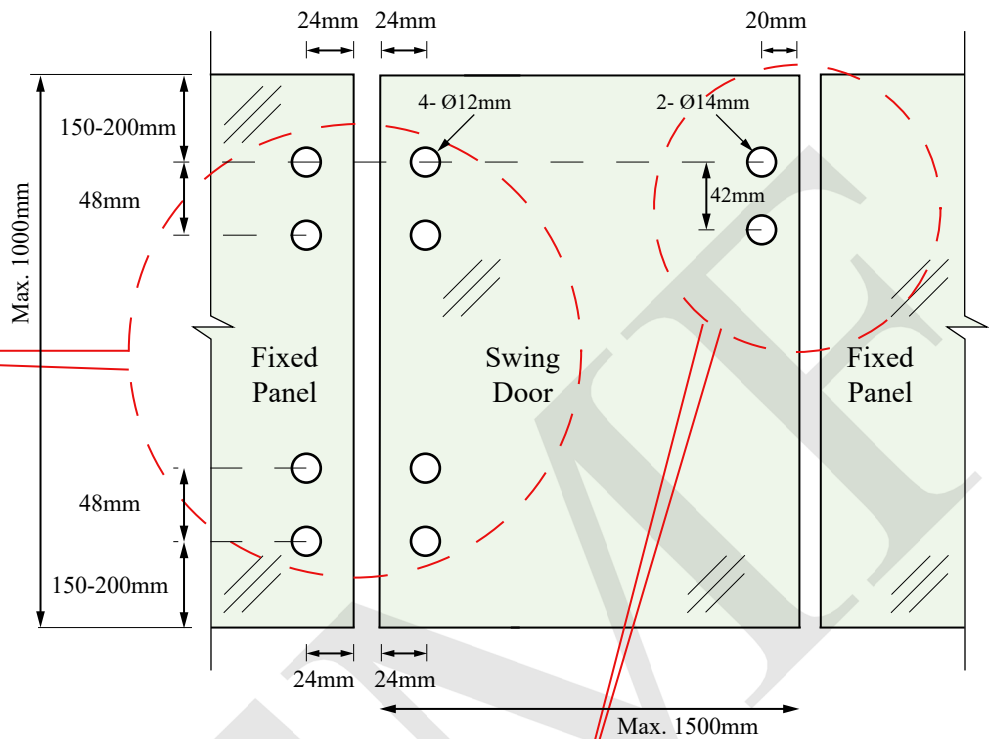
ELEVATION

GLASS FABRICATION

<p>NOTES:</p> <p>- PROPRIETARY AND CONFIDENTIAL - THE INFORMATION CONTAINED IN THIS DRAWING IS THE SOLE PROPERTY OF FMF GLASS HARDWARE. ANY REPRODUCTION IN PART OR AS A WHOLE WITHOUT THE WRITTEN PERMISSION OF FMF GLASS HARDWARE IS PROHIBITED.</p>	<p>PRODUCT NAME: Magnetic Glass Door Lock For Round Railing Posts</p>		<p>PRODUCT MODEL NUMBER: FGDL-00R</p>		
	<p>DWG NO. FGDL-00R_1</p>	<p>UNIT: MM</p>	<p>DWG SIZE/SCALE A4/NTS</p>	<p>FMF GLASS HARDWARE</p>	<p>REV. 1</p>
	<p>DATE: 05.22</p>	<p>DRAWN BY: FMF</p>			<p>SHEET 1 OF 1</p>

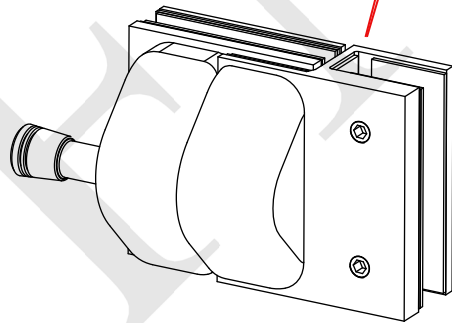


3D VIEW HYP-180



ELEVATION

Door Opening Direction



3D VIEW FGDL-180

NOTES: - PROPRIETARY AND CONFIDENTIAL - THE INFORMATION CONTAINED IN THIS DRAWING IS THE SOLE PROPERTY OF FMF GLASS HARDWARE. ANY REPRODUCTION IN PART OR AS A WHOLE WITHOUT THE WRITTEN PERMISSION OF FMF GLASS HARDWARE IS PROHIBITED.	PRODUCT NAME: 180° Left Side Glass Open Magnetic Glass Door Lock & Glass- Glass Self-Closing Hinge		PRODUCT MODEL NUMBER: FGDL-180 & HYP-180		
	DWG NO. FGDL_HYP-180_1	UNIT: MM	DWG SIZE/SCALE A4/NTS	FMF GLASS HARDWARE	REV. 1
	DATE: 05.22	DRAWN BY: FMF	SHEET 1 OF 1		