

NOTES:

- PROPRIETARY AND CONFIDENTIAL
- THE INFORMATION CONTAINED IN THIS DRAWING IS THE SOLE PROPERTY OF FMF GLASS HARDWARE. ANY REPRODUCTION IN PART OR AS A WHOLE WITHOUT THE WRITTEN PERMISSION OF FMF GLASS HARDWARE IS PROHIBITED.

PRODUCT NAME:
Heavy-Duty Office Sliding Door System, Wall-Mount

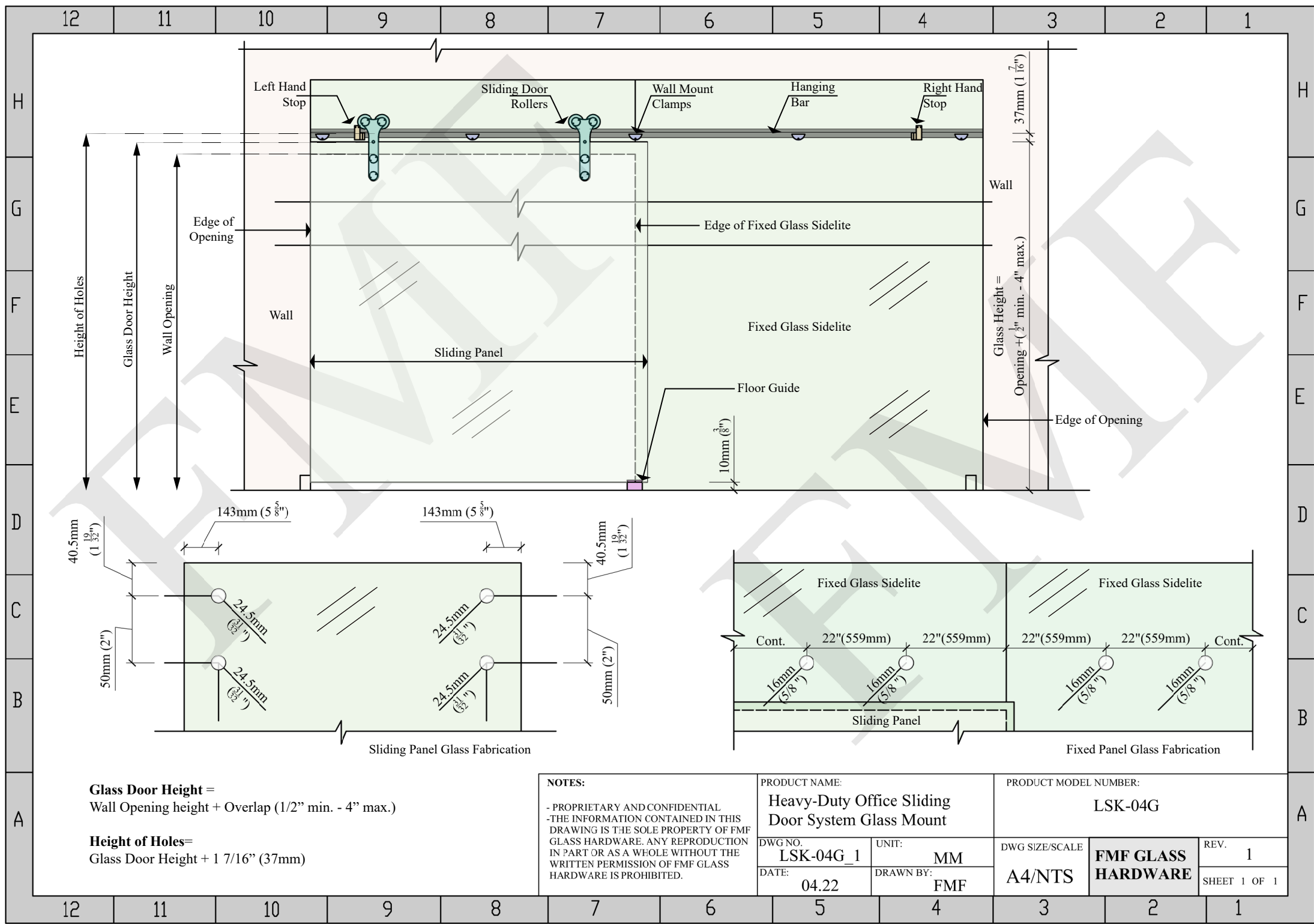
DWG NO. **LSK-04_1** UNIT: **MM**

DATE: **02.22** DRAWN BY: **FMF**

PRODUCT MODEL NUMBER:
LSK-04W

DWG SIZE/SCALE: **A4/NTS** **FMF GLASS HARDWARE** REV. **1**

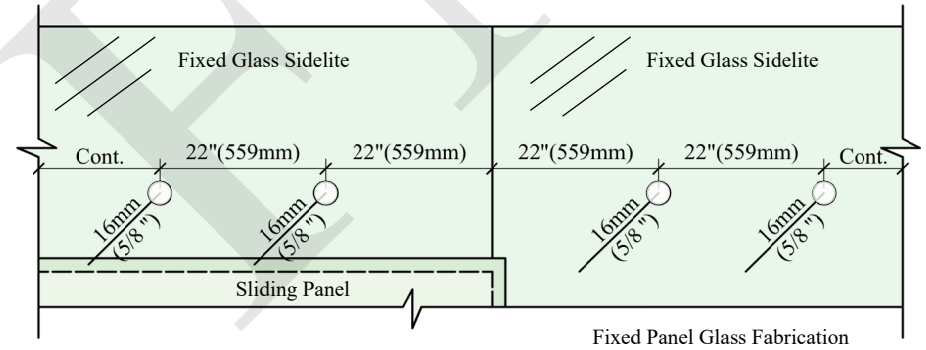
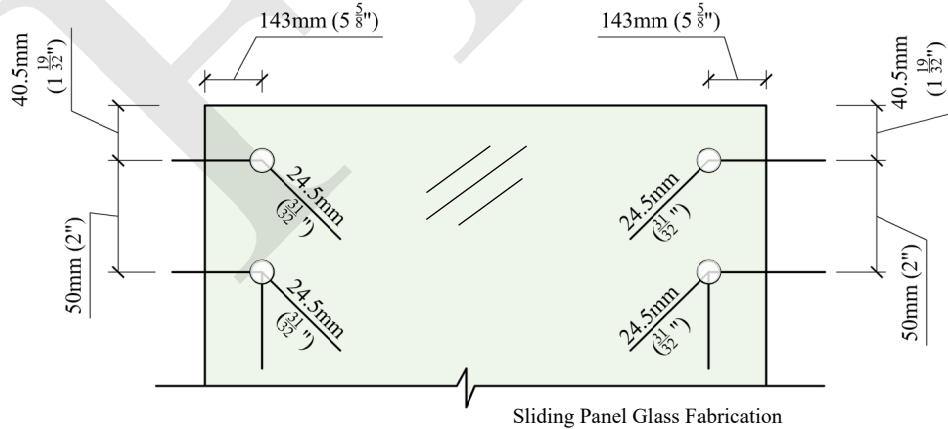
SHEET 1 OF 1



Height of Holes
Glass Door Height
Wall Opening

Left Hand Stop
Sliding Door Rollers
Wall Mount Clamps
Hanging Bar
Right Hand Stop

Edge of Opening
Wall
Edge of Fixed Glass Sidelite
Fixed Glass Sidelite
Sliding Panel
Floor Guide
10mm (3/8")
Glass Height = Opening + (1/2" min. - 4" max.)
Edge of Opening



Glass Door Height =
Wall Opening height + Overlap (1/2" min. - 4" max.)

Height of Holes=
Glass Door Height + 1 7/16" (37mm)

NOTES:
- PROPRIETARY AND CONFIDENTIAL
- THE INFORMATION CONTAINED IN THIS DRAWING IS THE SOLE PROPERTY OF FMF GLASS HARDWARE. ANY REPRODUCTION IN PART OR AS A WHOLE WITHOUT THE WRITTEN PERMISSION OF FMF GLASS HARDWARE IS PROHIBITED.

PRODUCT NAME:
Heavy-Duty Office Sliding Door System Glass Mount

DWG NO. **LSK-04G_1** UNIT: **MM**

DATE: **04.22** DRAWN BY: **FMF**

PRODUCT MODEL NUMBER:
LSK-04G

DWG SIZE/SCALE **A4/NTS** **FMF GLASS HARDWARE** REV. **1**

SHEET 1 OF 1