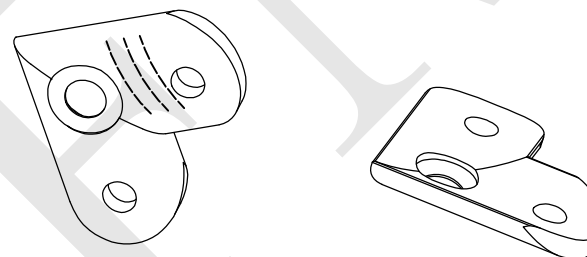
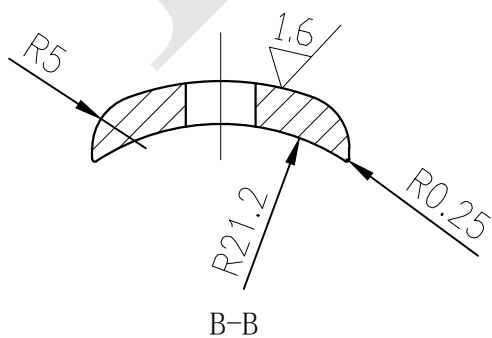
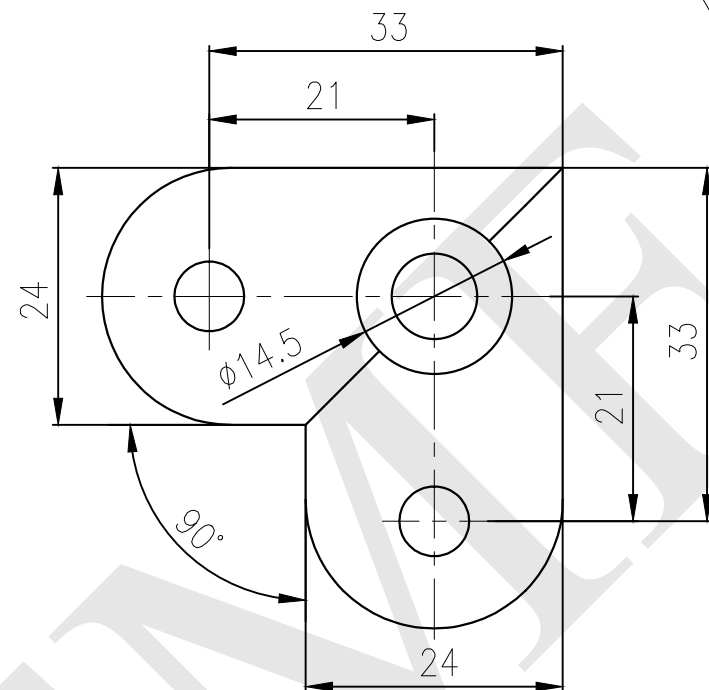
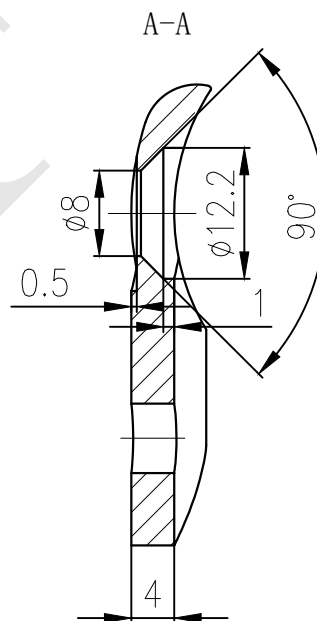
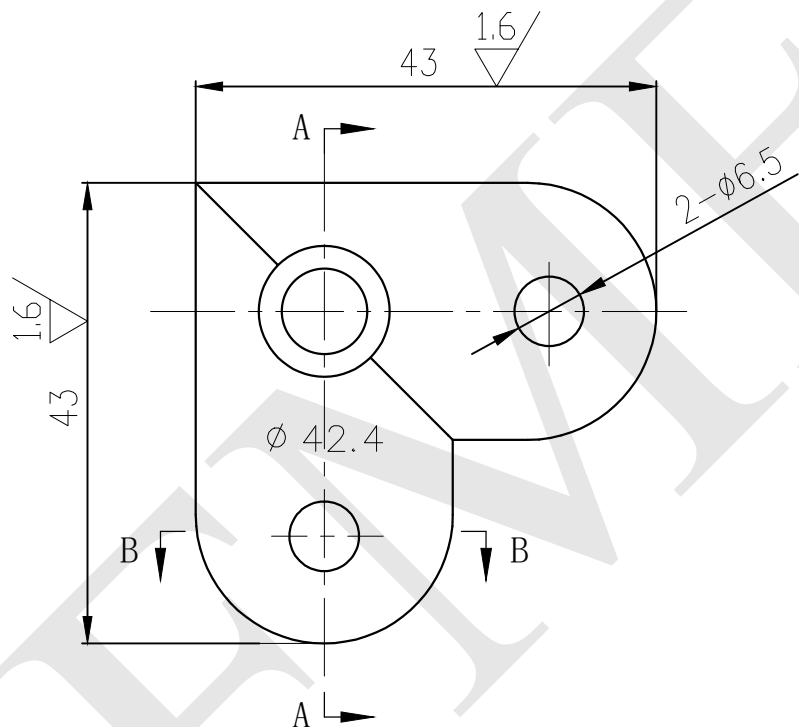


12 11 10 9 8 7 6 5 4 3 2 1

3.2

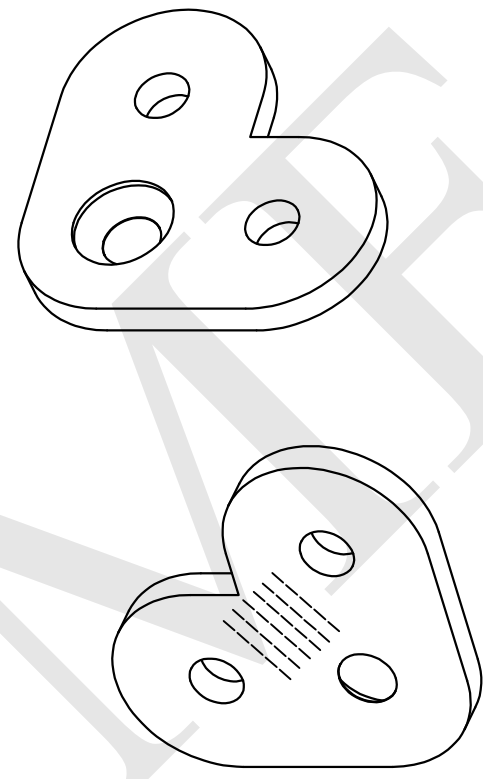
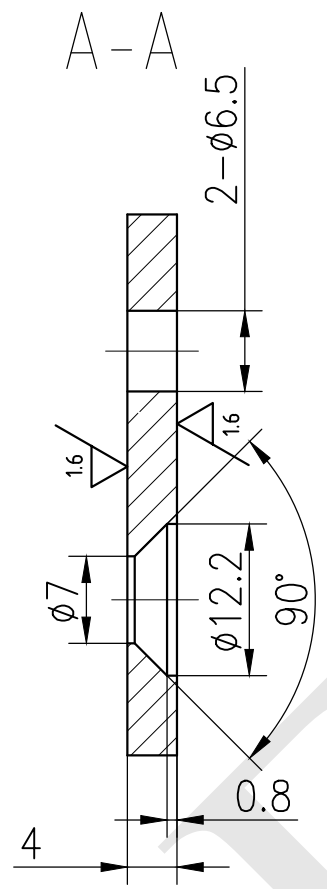
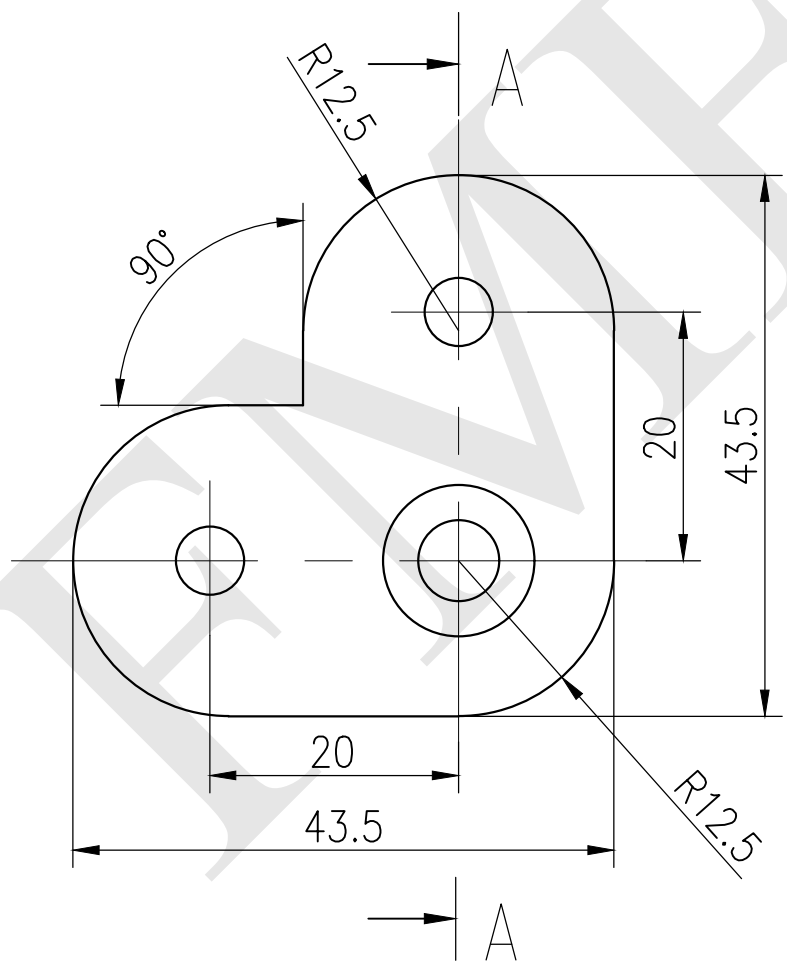


|   |   |                  |                                   |  |           |
|---|---|------------------|-----------------------------------|--|-----------|
| <b>NOTES:</b><br>- PROPRIETARY AND CONFIDENTIAL<br>- THE INFORMATION CONTAINED IN THIS DRAWING IS THE SOLE PROPERTY OF FMF GLASS HARDWARE. ANY REPRODUCTION IN PART OR AS A WHOLE WITHOUT THE WRITTEN PERMISSION OF FMF GLASS HARDWARE IS PROHIBITED. | PRODUCT NAME:<br>90 degree Curved Saddle<br>for 42.4mm Round Handrail |                  | PRODUCT MODEL NUMBER:<br>90AP-424 |  |           |
|   | DWG NO.<br>90AP-424_1   | UNIT:<br>MM      | DWG SIZE/SCALE<br>A4/NTS          | <b>FMF GLASS<br/>                 HARDWARE</b> | REV.<br>1 |
|   | DATE:<br>12.22  | DRAWN BY:<br>FMF | SHEET 1 OF 1                      |  |           |

12 11 10 9 8 7 6 5 4 3 2 1

12 11 10 9 8 7 6 5 4 3 2 1

3.2  
▽



**NOTES:**  
 - PROPRIETARY AND CONFIDENTIAL  
 - THE INFORMATION CONTAINED IN THIS DRAWING IS THE SOLE PROPERTY OF FMF GLASS HARDWARE. ANY REPRODUCTION IN PART OR AS A WHOLE WITHOUT THE WRITTEN PERMISSION OF FMF GLASS HARDWARE IS PROHIBITED.

PRODUCT NAME:  
 90 degree Flat Saddle  
 for 40x40mm Square Handrail

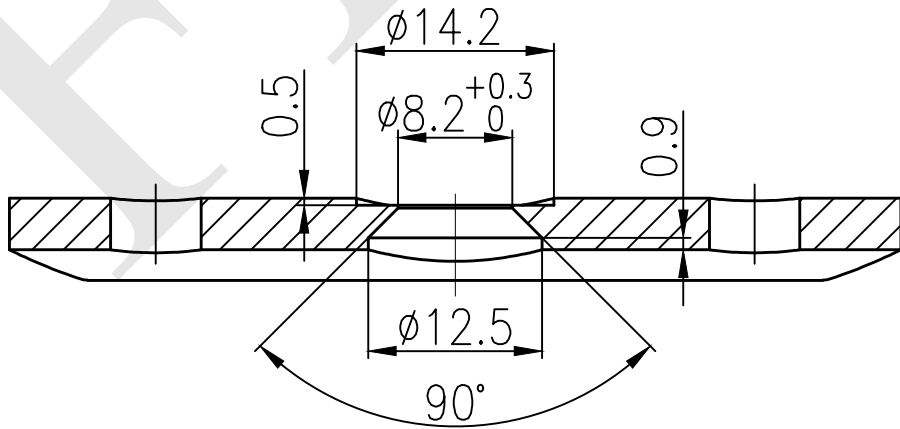
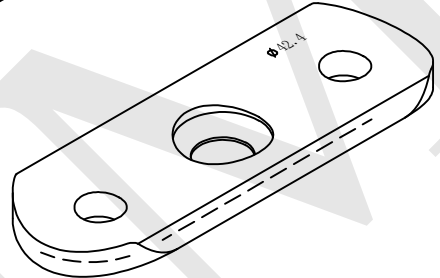
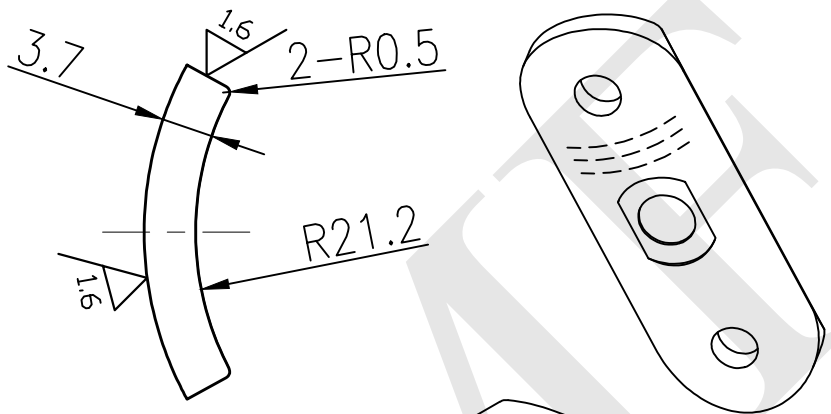
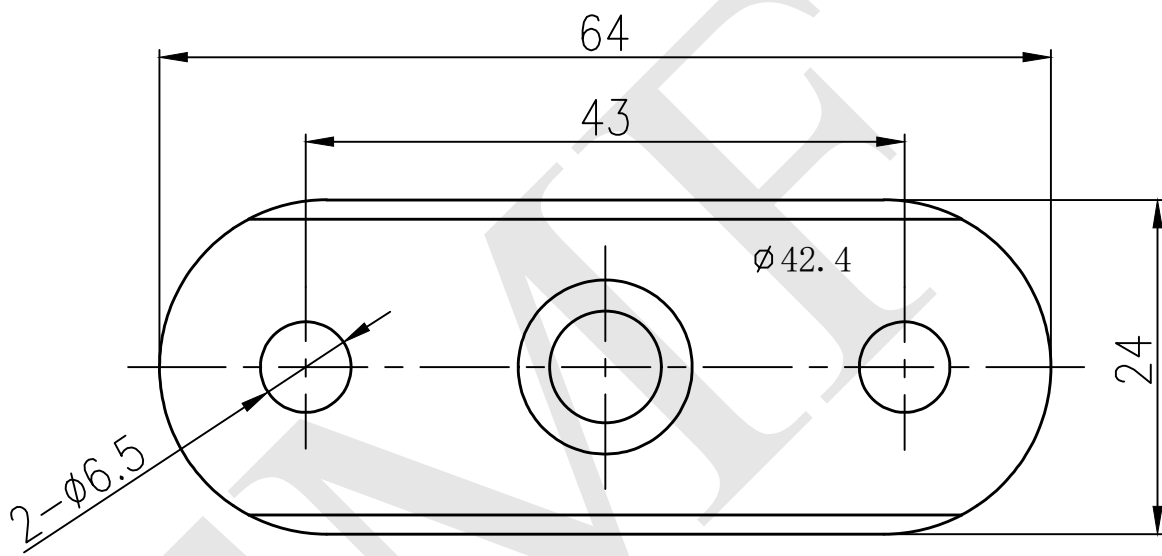
DWG NO. 90AP-4040\_1 UNIT: MM  
 DATE: 12.22 DRAWN BY: FMF

PRODUCT MODEL NUMBER:  
 90AP-4040

DWG SIZE/SCALE: A4/NTS  
**FMF GLASS HARDWARE**

REV. 1  
 SHEET 1 OF 1

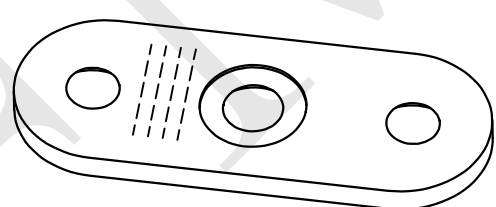
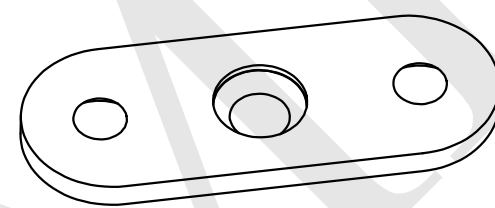
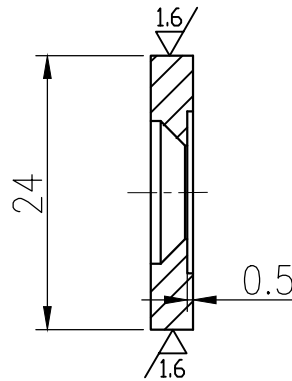
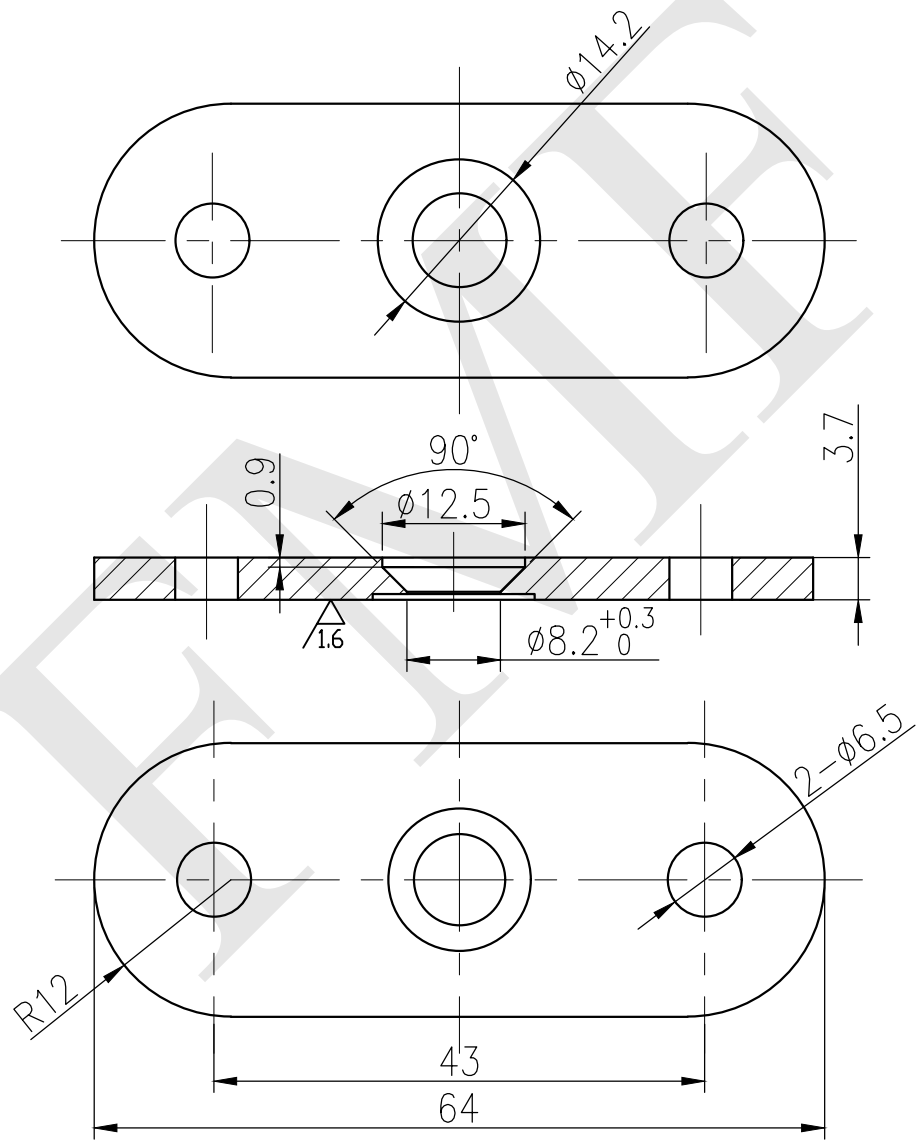
12 11 10 9 8 7 6 5 4 3 2 1



|   |  |                  |                                     |                        |  |
|---|--|------------------|-------------------------------------|------------------------|--|
| <b>NOTES:</b><br>- PROPRIETARY AND CONFIDENTIAL<br>- THE INFORMATION CONTAINED IN THIS DRAWING IS THE SOLE PROPERTY OF FMF GLASS HARDWARE. ANY REPRODUCTION IN PART OR AS A WHOLE WITHOUT THE WRITTEN PERMISSION OF FMF GLASS HARDWARE IS PROHIBITED. | PRODUCT NAME:<br>180 Degree Curved Saddle<br>for 42.4mm Handrail |                  | PRODUCT MODEL NUMBER:<br>180AP-C424 |                        |  |
|   | DWG NO.<br>180AP-C424_1  | UNIT:<br>MM      | DWG SIZE/SCALE<br>A4/NTS            | FMF GLASS<br>HARDWARE  |  |
|   | DATE:<br>12.22   | DRAWN BY:<br>FMF |                                     | REV. 1<br>SHEET 1 OF 1 |  |
|   |  |                  |                                     |                        |  |

12 11 10 9 8 7 6 5 4 3 2 1

3.2



|   |   |                  |                                      |  |              |
|---|---|------------------|--------------------------------------|--|--------------|
| <b>NOTES:</b><br>- PROPRIETARY AND CONFIDENTIAL<br>- THE INFORMATION CONTAINED IN THIS DRAWING IS THE SOLE PROPERTY OF FMF GLASS HARDWARE. ANY REPRODUCTION IN PART OR AS A WHOLE WITHOUT THE WRITTEN PERMISSION OF FMF GLASS HARDWARE IS PROHIBITED. | PRODUCT NAME:<br>180 degree Saddle<br>for 40x40mm Square Handrail |                  | PRODUCT MODEL NUMBER:<br>180AP-F4040 |  |              |
|   | DWG NO.<br>180AP-F4040_1  | UNIT:<br>MM      | DWG SIZE/SCALE<br>A4/NTS             | <b>FMF GLASS<br/>                 HARDWARE</b> | REV.<br>1    |
|   | DATE:<br>12.22  | DRAWN BY:<br>FMF |                                      |  | SHEET 1 OF 1 |

12 11 10 9 8 7 6 5 4 3 2 1