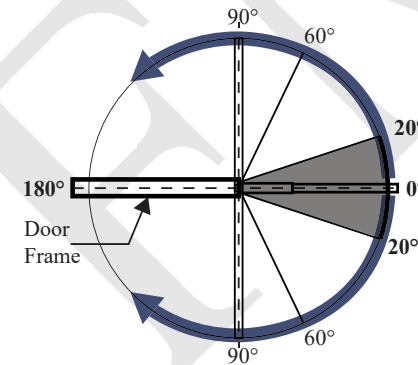


**Features:**

1. Soft Closing- 20°-0°  
(adjust by valve 2)
2. Soft Closing- 60°-20°  
(adjust by valve 1)
3. Fast Closing- 90°- 60°
4. HO (Hold open: 95°- 90°)  
NH (No hold open)



Model	Overall dimension (mm)	Max. load capacity (kg)	Glass Thickness (mm)	Gasket usage
HYP-203	150x110x26	60	10mm	4
			12mm	2

**NOTES:**  
 - PROPRIETARY AND CONFIDENTIAL  
 - THE INFORMATION CONTAINED IN THIS DRAWING IS THE SOLE PROPERTY OF FMF GLASS HARDWARE. ANY REPRODUCTION IN PART OR AS A WHOLE WITHOUT THE WRITTEN PERMISSION OF FMF GLASS HARDWARE IS PROHIBITED.

**PRODUCT NAME:**  
 180° Hydraulic Glass-to-Glass Hinge

DWG NO. HYP-203\_1  
 DATE: 01.22

UNIT: MM  
 DRAWN BY: FMF

**PRODUCT MODEL NUMBER:**  
 HYP-203

DWG SIZE/SCALE: A4/NTS  
**FMF GLASS HARDWARE**

REV. 1  
 SHEET 1 OF 1