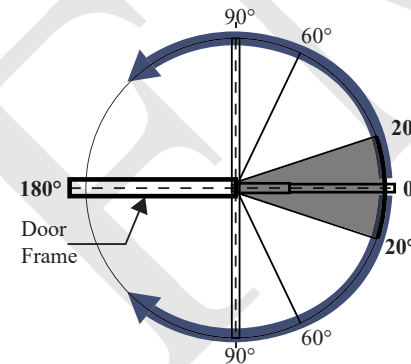


Features:

1. Soft Closing- 20°-0°
(adjust by valve 2)
2. Soft Closing- 60°-20°
(adjust by valve 1)
3. Fast Closing- 90°- 60°
4. HO (Hold open: 95°- 90°)
NH (No hold open)



Model	Overall dimension (mm)	Max. load capacity (kg)	Glass Thickness (mm)	Gasket usage
HYP-203	150x110x26	60	10mm	4
			12mm	2

NOTES:
 - PROPRIETARY AND CONFIDENTIAL
 - THE INFORMATION CONTAINED IN THIS DRAWING IS THE SOLE PROPERTY OF FMF GLASS HARDWARE. ANY REPRODUCTION IN PART OR AS A WHOLE WITHOUT THE WRITTEN PERMISSION OF FMF GLASS HARDWARE IS PROHIBITED.

PRODUCT NAME:
 180° Hydraulic Glass-to-Glass Hinge

PRODUCT MODEL NUMBER:
 HYP-203

DWG NO.
 HYP-203_1
 DATE:
 01.22

UNIT:
 MM
 DRAWN BY:
 FMF

DWG SIZE/SCALE
 A4/NTS

FMF GLASS HARDWARE

REV. 1
 SHEET 1 OF 1