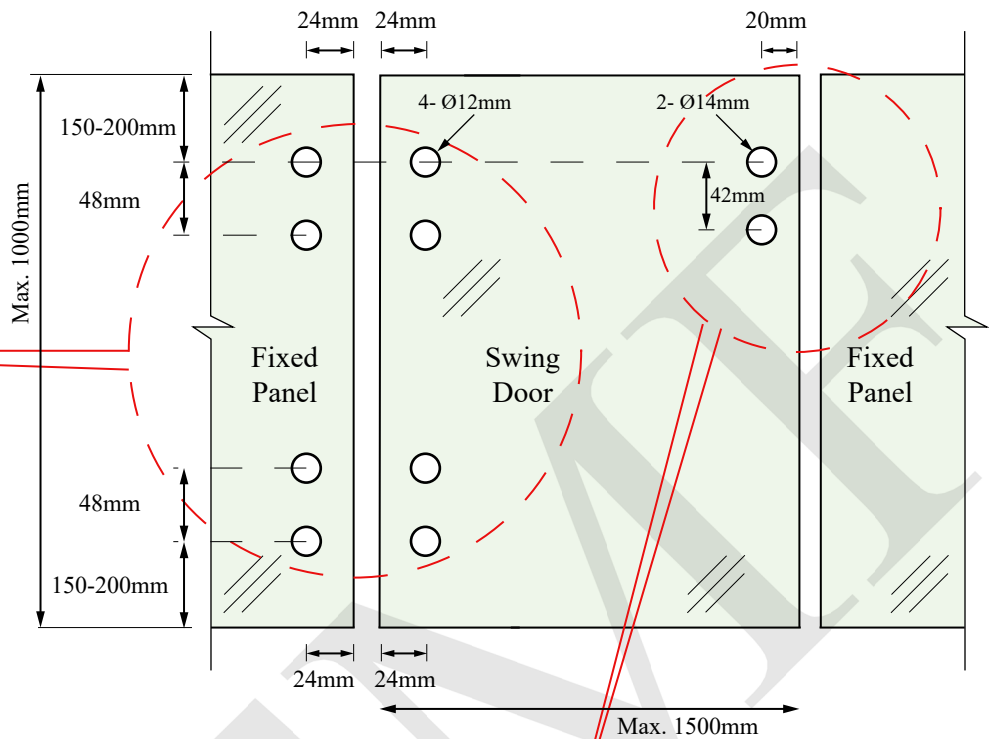
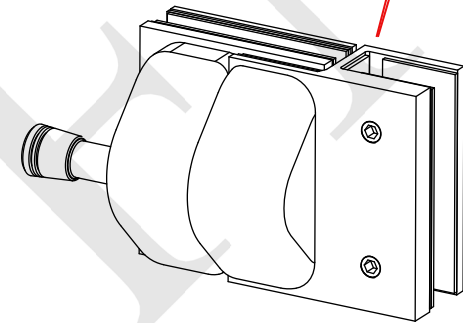


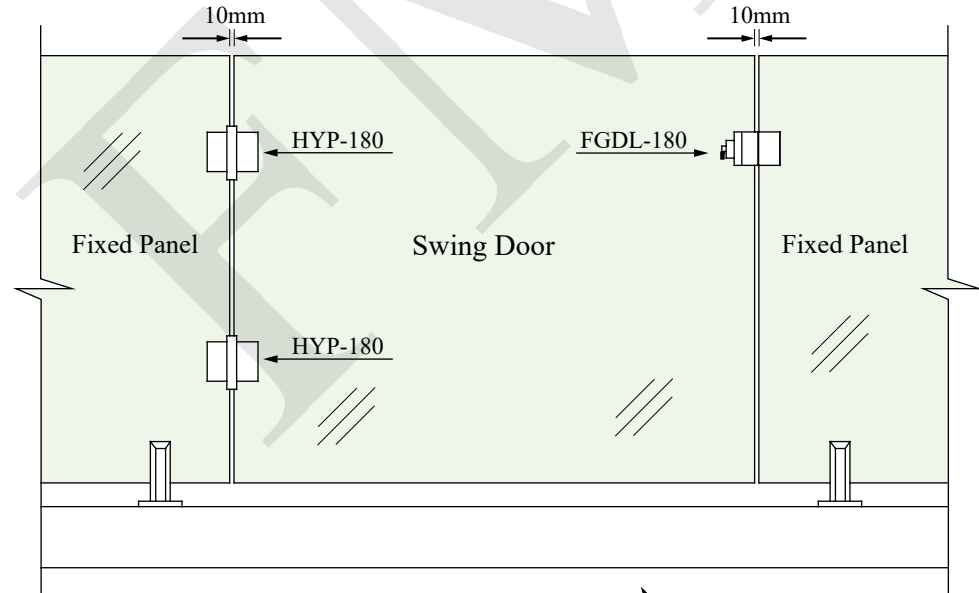
3D VIEW HYP-180



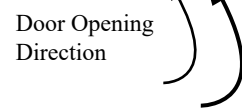
GLASS FABRICATION



3D VIEW FGDL-180



ELEVATION



NOTES: - PROPRIETARY AND CONFIDENTIAL - THE INFORMATION CONTAINED IN THIS DRAWING IS THE SOLE PROPERTY OF FMF GLASS HARDWARE. ANY REPRODUCTION IN PART OR AS A WHOLE WITHOUT THE WRITTEN PERMISSION OF FMF GLASS HARDWARE IS PROHIBITED.	PRODUCT NAME: 180° Left Side Glass Open Magnetic Glass Door Lock & Glass- Glass Self-Closing Hinge		PRODUCT MODEL NUMBER: FGDL-180 & HYP-180		
	DWG NO. FGDL_HYP-180_1	UNIT: MM	DWG SIZE/SCALE A4/NTS	FMF GLASS HARDWARE	REV. 1
	DATE: 05.22	DRAWN BY: FMF	SHEET 1 OF 1		