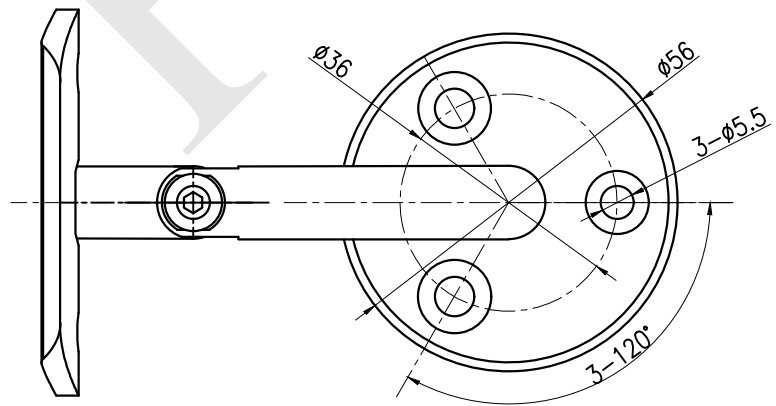
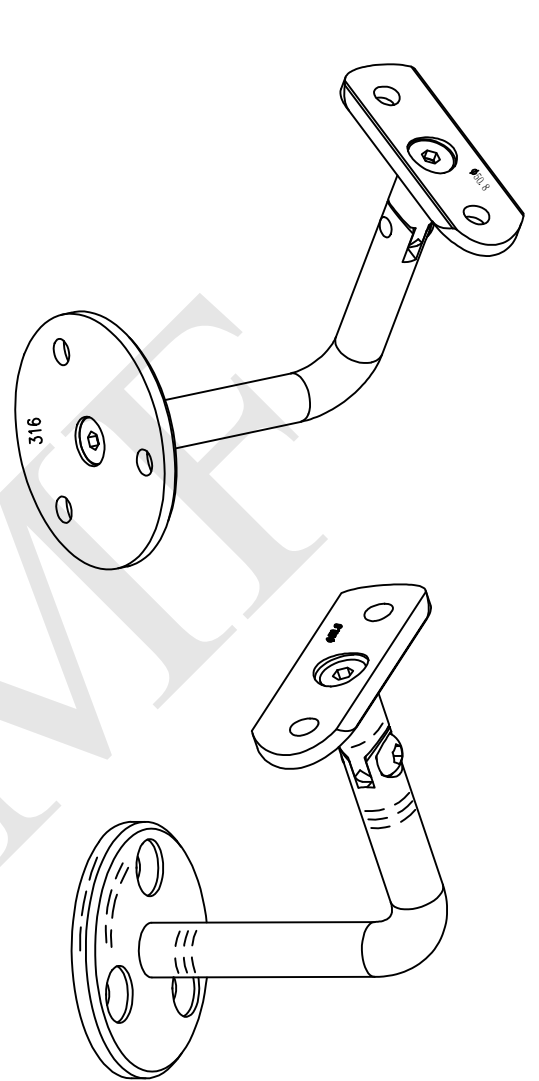
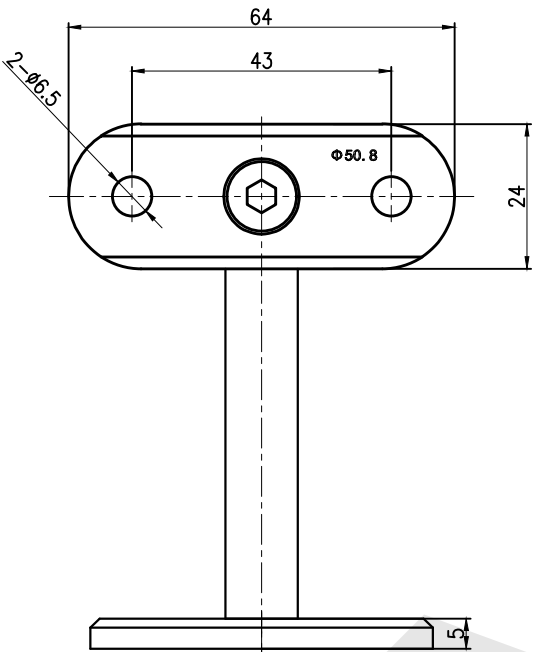
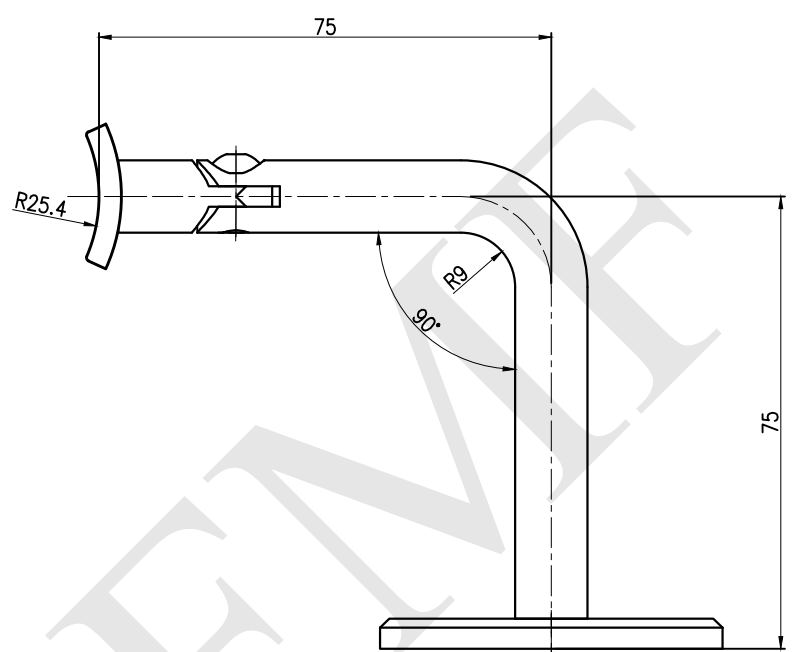


12 11 10 9 8 7 6 5 4 3 2 1



**NOTES:**  
 - PROPRIETARY AND CONFIDENTIAL  
 - THE INFORMATION CONTAINED IN THIS DRAWING IS THE SOLE PROPERTY OF FMF GLASS HARDWARE. ANY REPRODUCTION IN PART OR AS A WHOLE WITHOUT THE WRITTEN PERMISSION OF FMF GLASS HARDWARE IS PROHIBITED.

PRODUCT NAME:  
 Standard Handrail Brackets:  
 Movable Saddle

DWG NO.  
 HRB-05AW\_1

DATE:  
 01.23

UNIT:  
 MM

DRAWN BY:  
 FMF

PRODUCT MODEL NUMBER:  
 HRB-05AW

DWG SIZE/SCALE  
 A4/NTS

REV. 1

SHEET 1 OF 1

12 11 10 9 8 7 6 5 4 3 2 1

12

11

10

9

8

7

6

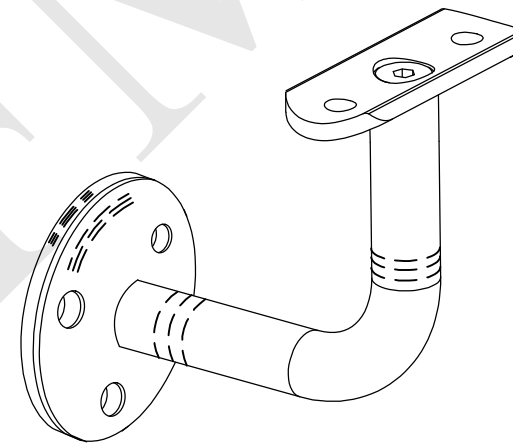
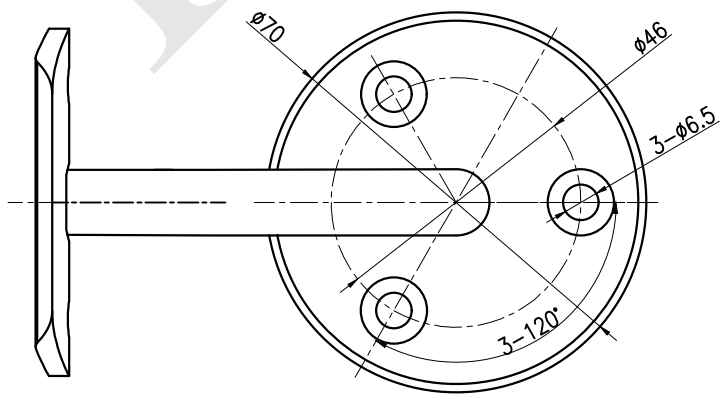
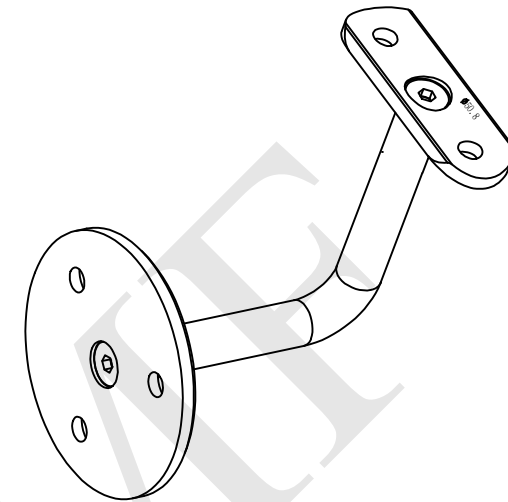
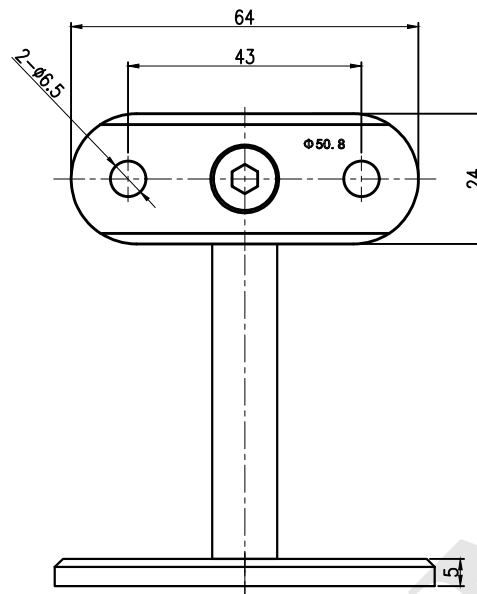
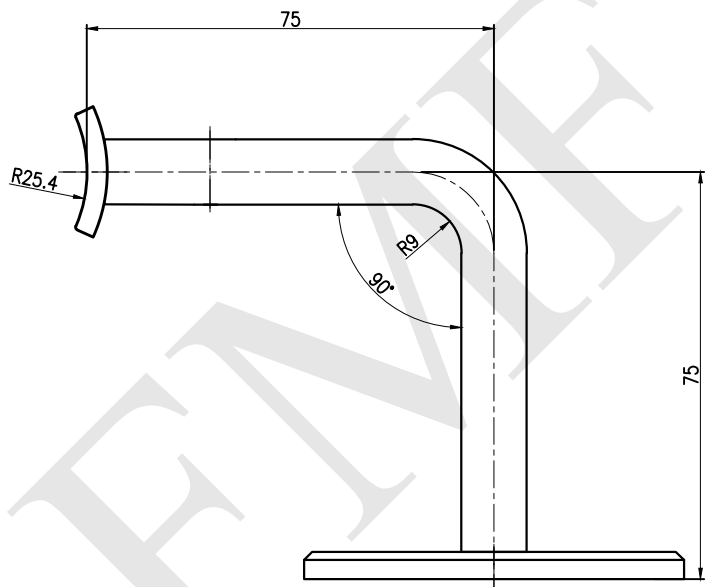
5

4

3

2

1



3.2

**NOTES:**

- PROPRIETARY AND CONFIDENTIAL  
 - THE INFORMATION CONTAINED IN THIS  
 DRAWING IS THE SOLE PROPERTY OF FMF  
 GLASS HARDWARE. ANY REPRODUCTION  
 IN PART OR AS A WHOLE WITHOUT THE  
 WRITTEN PERMISSION OF FMF GLASS  
 HARDWARE IS PROHIBITED.

**PRODUCT NAME:**

Standard Handrail Brackets:  
 Fixed Saddle

**PRODUCT MODEL NUMBER:**

HRB-05W0

DWG NO.  
 HRB-05W0\_1

DATE:  
 01.23

UNIT:  
 MM

DRAWN BY:  
 FMF

DWG SIZE/SCALE

A4/NTS

**FMF GLASS  
 HARDWARE**

REV. 1

SHEET 1 OF 1

12

11

10

9

8

7

6

5

4

3

2

1