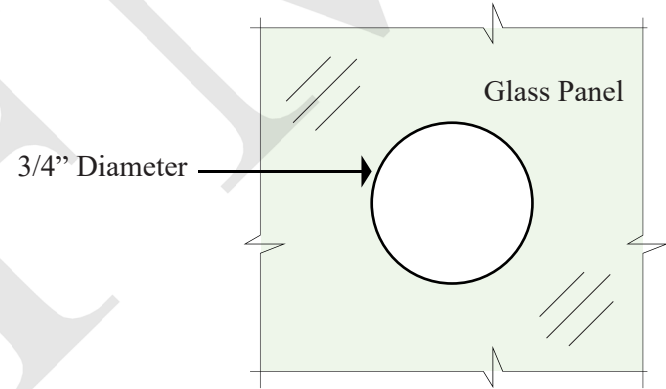
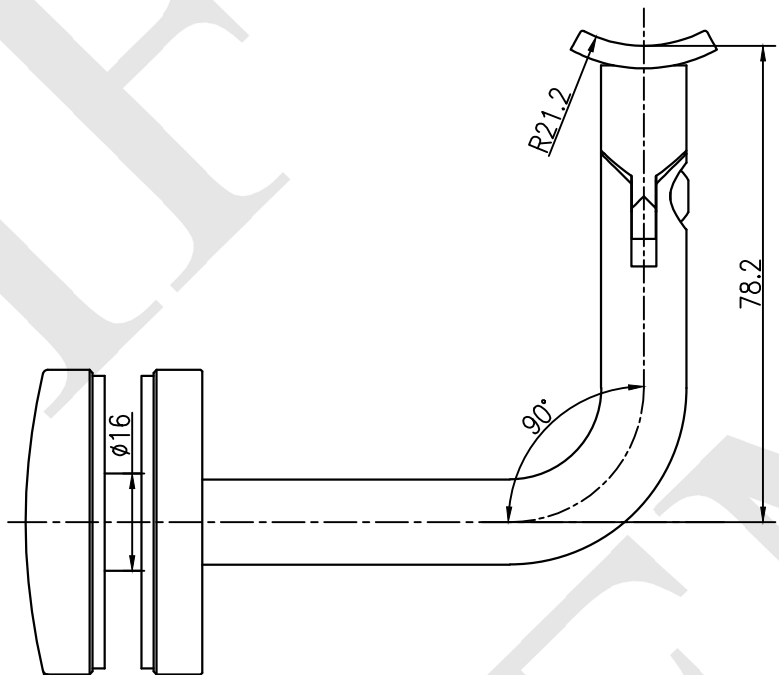
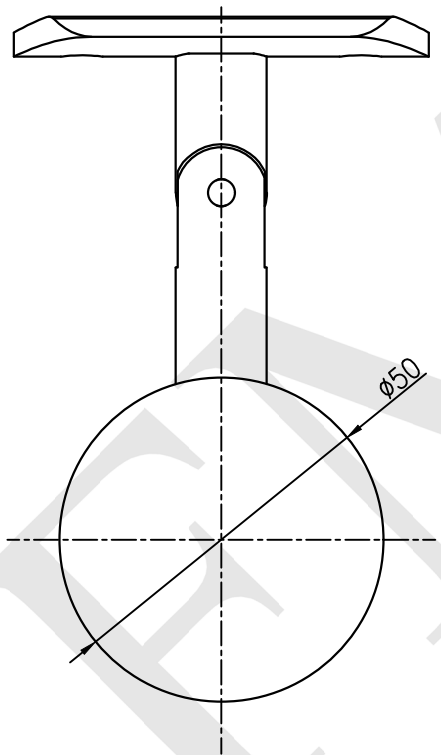


12 11 10 9 8 7 6 5 4 3 2 1

H  
G  
F  
E  
D  
C  
B  
A



**NOTES:**  
 - PROPRIETARY AND CONFIDENTIAL  
 - THE INFORMATION CONTAINED IN THIS DRAWING IS THE SOLE PROPERTY OF FMF GLASS HARDWARE. ANY REPRODUCTION IN PART OR AS A WHOLE WITHOUT THE WRITTEN PERMISSION OF FMF GLASS HARDWARE IS PROHIBITED.

PRODUCT NAME:  
**Round Handrail Brackets**

DWG NO.  
**HRB-01\_1**

DATE:  
**05.22**

UNIT:  
**MM**

DRAWN BY:  
**FMF**

PRODUCT MODEL NUMBER:  
**HRB-01AG/ HRB-01G0**

DWG SIZE/SCALE  
**A4/NTS**

**FMF GLASS HARDWARE**

REV. **1**  
 SHEET 1 OF 1

12 11 10 9 8 7 6 5 4 3 2 1