

<b>NOTES:</b> - PROPRIETARY AND CONFIDENTIAL - THE INFORMATION CONTAINED IN THIS DRAWING IS THE SOLE PROPERTY OF FMF GLASS HARDWARE. ANY REPRODUCTION IN PART OR AS A WHOLE WITHOUT THE WRITTEN PERMISSION OF FMF GLASS HARDWARE IS PROHIBITED.	PRODUCT NAME: <b>800 Series          Glass-Wall Door Lock</b>		PRODUCT MODEL NUMBER: <b>GDL-800</b>		
	DWG NO. <b>GDL-800_1</b>	UNIT: <b>MM</b>	DWG SIZE/SCALE <b>A4/NTS</b>	<b>FMF GLASS          HARDWARE</b>	REV. <b>1</b>
	DATE: <b>02.22</b>	DRAWN BY: <b>FMF</b>			SHEET 1 OF 1

12 11 10 9 8 7 6 5 4 3 2 1

H

H

G

G

F

F

E

E

D

D

C

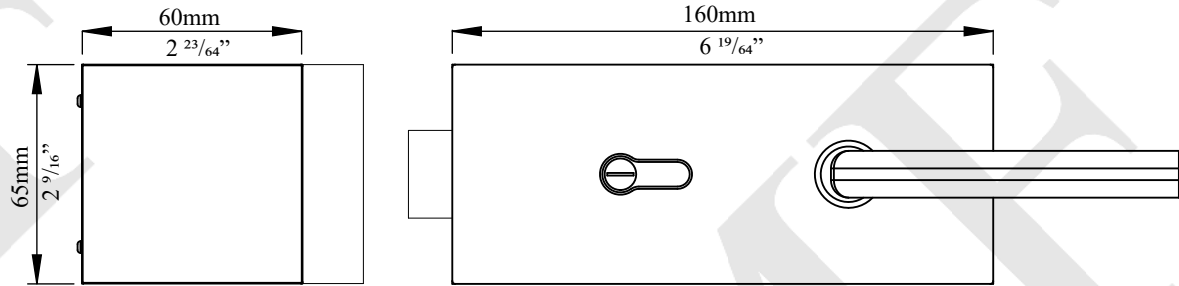
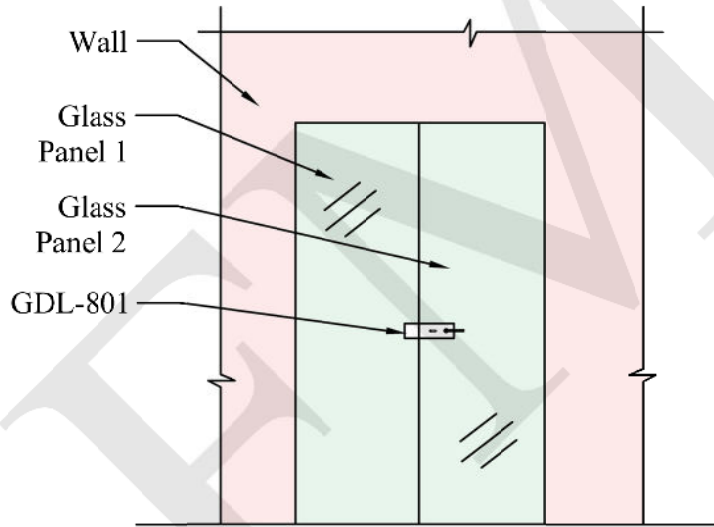
C

B

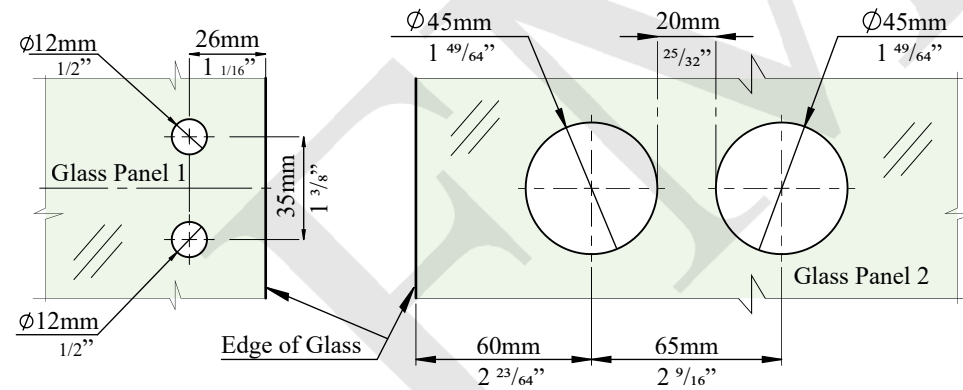
B

A

A



Elevation



Glass Fabrication

<b>NOTES:</b> - PROPRIETARY AND CONFIDENTIAL - THE INFORMATION CONTAINED IN THIS DRAWING IS THE SOLE PROPERTY OF FMF GLASS HARDWARE. ANY REPRODUCTION IN PART OR AS A WHOLE WITHOUT THE WRITTEN PERMISSION OF FMF GLASS HARDWARE IS PROHIBITED.	PRODUCT NAME: <b>800 Series                  Glass-Glass Door Lock</b>		PRODUCT MODEL NUMBER: <b>GDL-801</b>		
	DWG NO. <b>GDL-801_1</b>	UNIT: <b>MM</b>	DWG SIZE/SCALE <b>A4/NTS</b>	<b>FMF GLASS                  HARDWARE</b>	REV. <b>1</b>
	DATE: <b>02.22</b>	DRAWN BY: <b>FMF</b>			SHEET <b>1</b> OF <b>1</b>

12 11 10 9 8 7 6 5 4 3 2 1