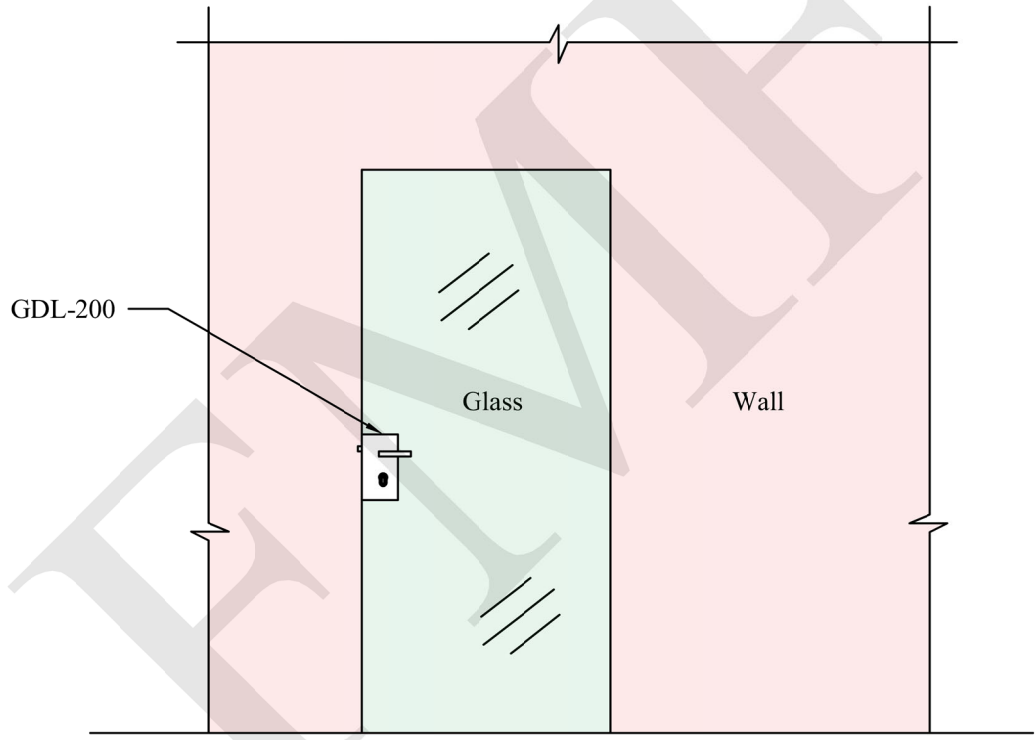
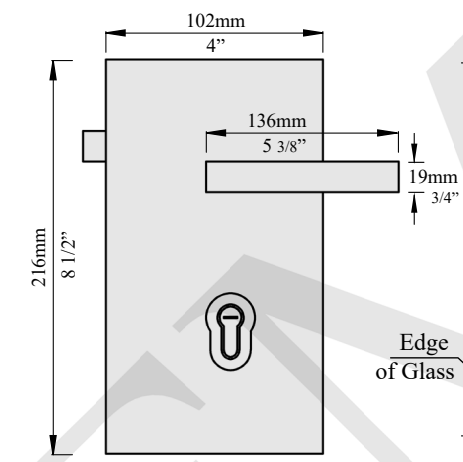


12 11 10 9 8 7 6 5 4 3 2 1

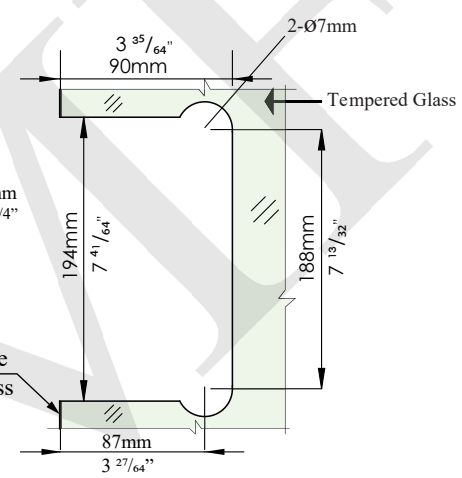
H  
G  
F  
E  
D  
C  
B  
A



**GDL-200  
WALL DETAIL**



**ELEVATION**



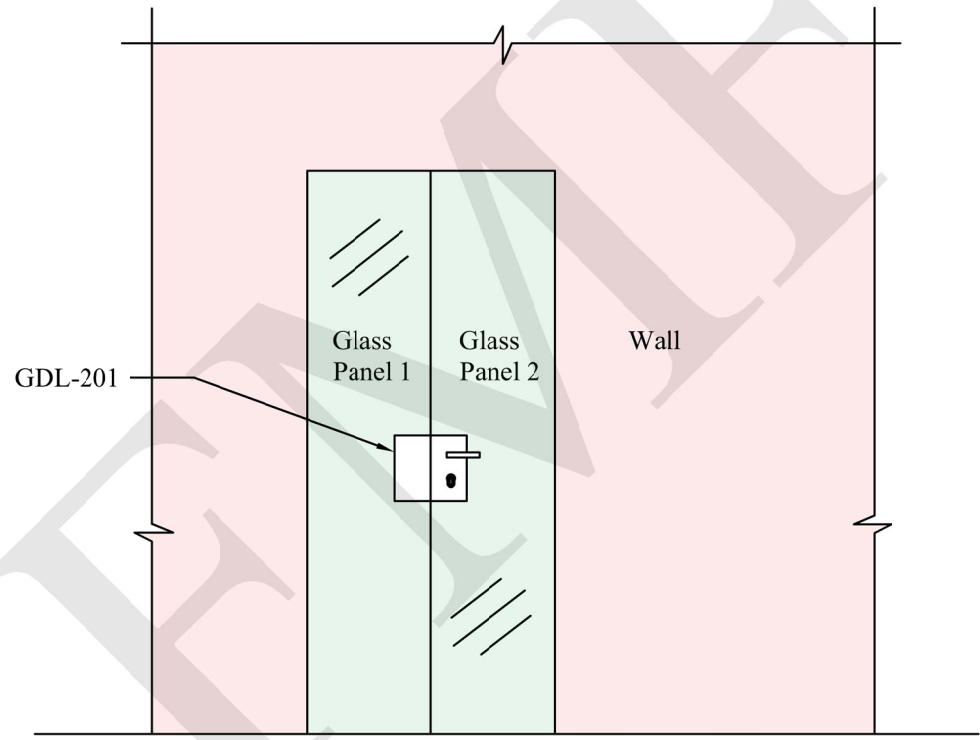
**GLASS  
FABRICATION**

<b>NOTES:</b> - PROPRIETARY AND CONFIDENTIAL - THE INFORMATION CONTAINED IN THIS DRAWING IS THE SOLE PROPERTY OF FMF GLASS HARDWARE. ANY REPRODUCTION IN PART OR AS A WHOLE WITHOUT THE WRITTEN PERMISSION OF FMF GLASS HARDWARE IS PROHIBITED.	PRODUCT NAME: <b>200 Series Glass-Wall Door Lock</b>		PRODUCT MODEL NUMBER: <b>GDL-200</b>		
	DWG NO. <b>GDL-200_1</b>	UNIT: <b>MM</b>	DWG SIZE/SCALE <b>A4/NTS</b>	<b>FMF GLASS HARDWARE</b>	REV. <b>1</b>
	DATE: <b>04.22</b>	DRAWN BY: <b>FMF</b>			SHEET <b>1</b> OF <b>1</b>

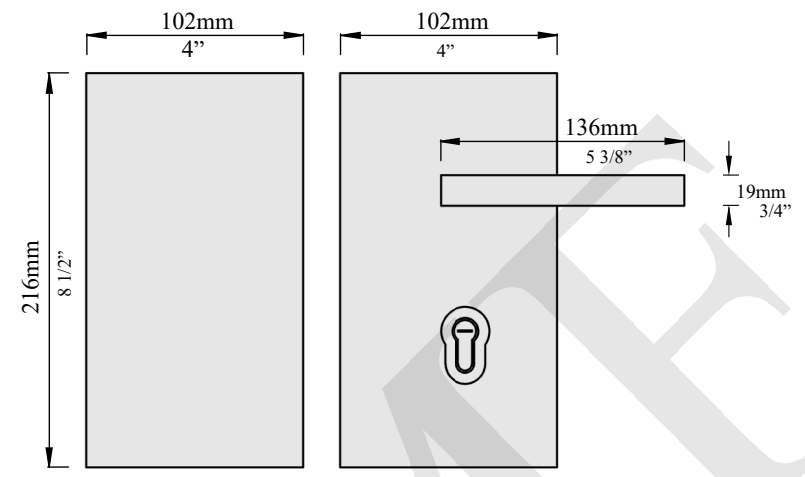
12 11 10 9 8 7 6 5 4 3 2 1

12 11 10 9 8 7 6 5 4 3 2 1

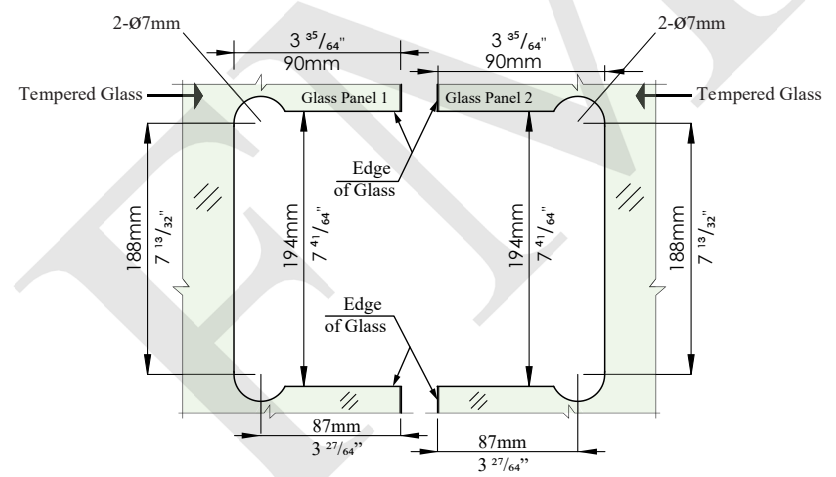
H  
G  
F  
E  
D  
C  
B  
A



**GDL-201  
GLASS-GLASS DETAIL**



**ELEVATION**



**GLASS  
FABRICATION**

<b>NOTES:</b> - PROPRIETARY AND CONFIDENTIAL - THE INFORMATION CONTAINED IN THIS DRAWING IS THE SOLE PROPERTY OF FMF GLASS HARDWARE. ANY REPRODUCTION IN PART OR AS A WHOLE WITHOUT THE WRITTEN PERMISSION OF FMF GLASS HARDWARE IS PROHIBITED.	PRODUCT NAME: <b>200 Series Glass-Glass Door Lock</b>		PRODUCT MODEL NUMBER: <b>GDL-201</b>		
	DWG NO. <b>GDL-201_1</b>	UNIT: <b>MM</b>	DWG SIZE/SCALE <b>A4/NTS</b>	<b>FMF GLASS HARDWARE</b>	REV. <b>1</b>
	DATE: <b>04.22</b>	DRAWN BY: <b>FMF</b>	<b>SHEET 1 OF 1</b>		

12 11 10 9 8 7 6 5 4 3 2 1