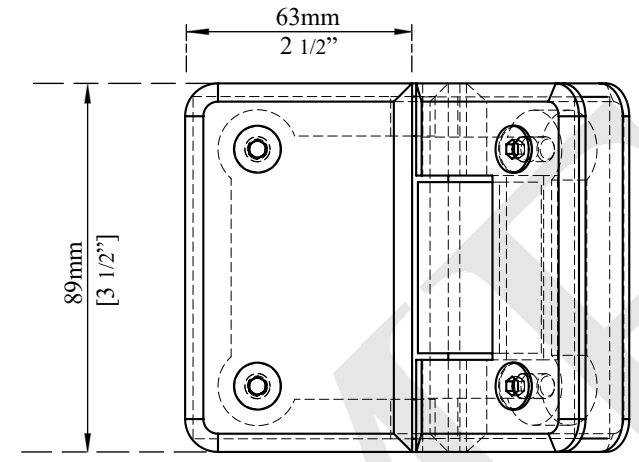
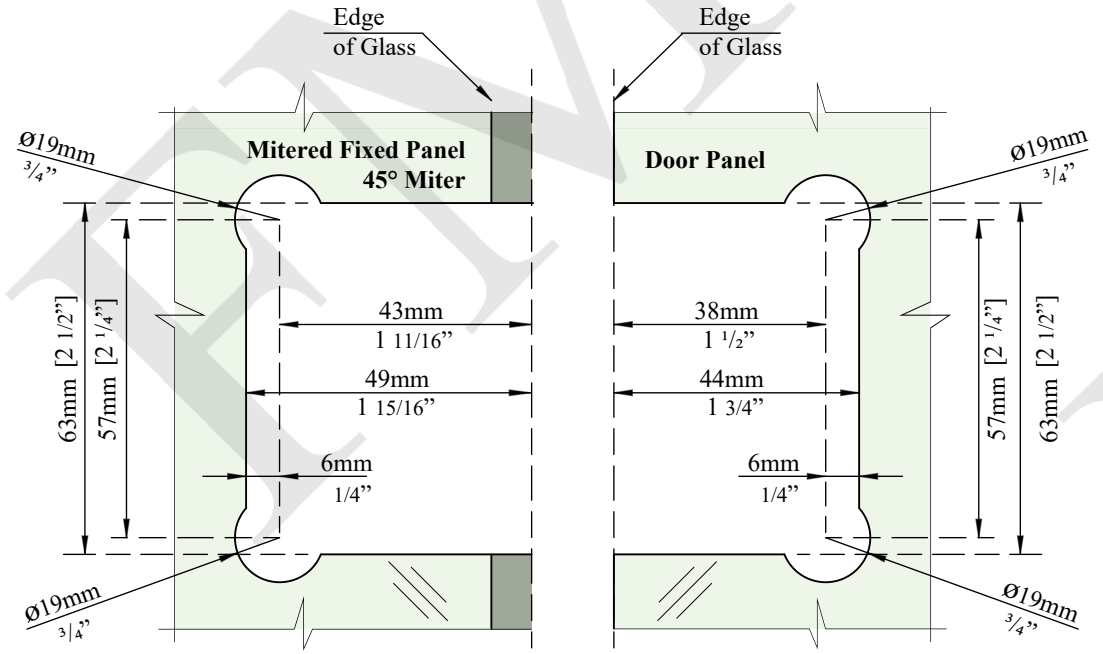


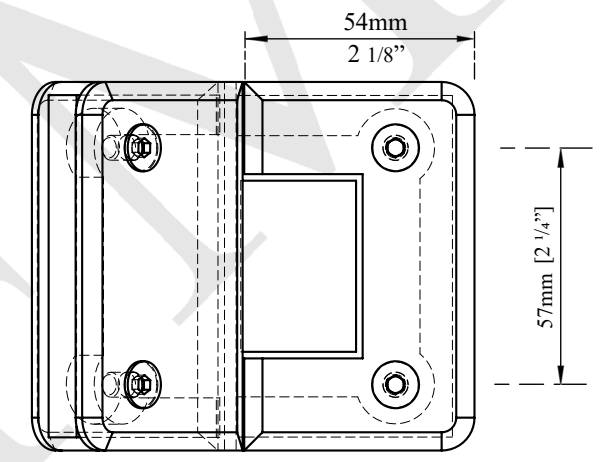
PLAN



ELEVATION 1



GLASS FABRICATION



ELEVATION 2

<p>NOTES:</p> <p>- PROPRIETARY AND CONFIDENTIAL. - THE INFORMATION CONTAINED IN THIS DRAWING IS THE SOLE PROPERTY OF FMF GLASS HARDWARE. ANY REPRODUCTION IN PART OR AS A WHOLE WITHOUT THE WRITTEN PERMISSION OF FMF GLASS HARDWARE IS PROHIBITED.</p>	<p>PRODUCT NAME:</p> <p>135° Bevelled Glass-to-Glass Hinge</p>		<p>PRODUCT MODEL NUMBER:</p> <p>G302</p>		
	<p>DWG NO.</p> <p>G302_1</p>	<p>UNIT:</p> <p>FT.-IN./MM</p>	<p>DWG SIZE/SCALE</p> <p>A4/NTS</p>	<p>FMF GLASS HARDWARE</p>	<p>REV.</p> <p>1</p>
	<p>DATE:</p> <p>11.22</p>	<p>DRAWN BY:</p> <p>FMF</p>			<p>SHEET 1 OF 1</p>