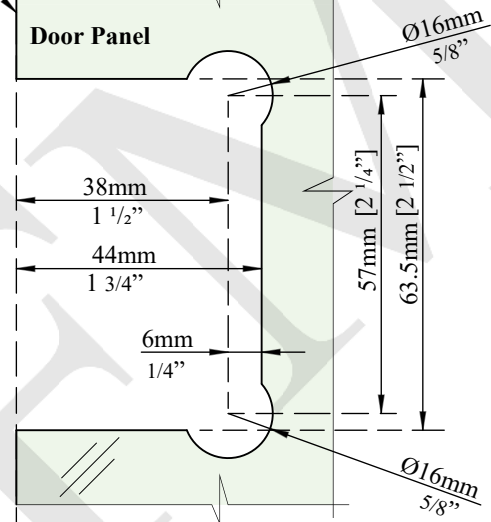
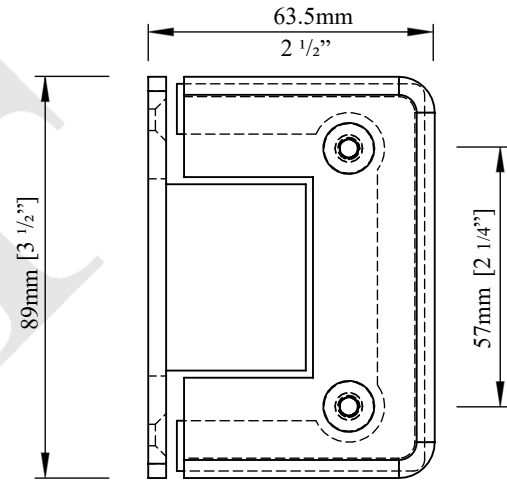


Edge
of Glass

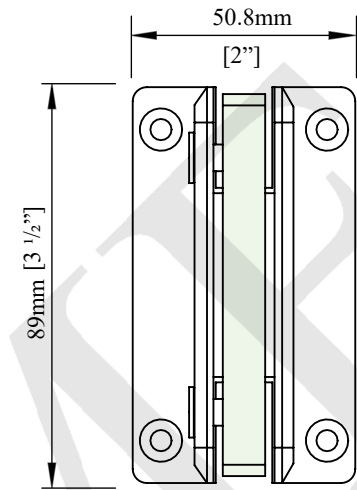
Door Panel



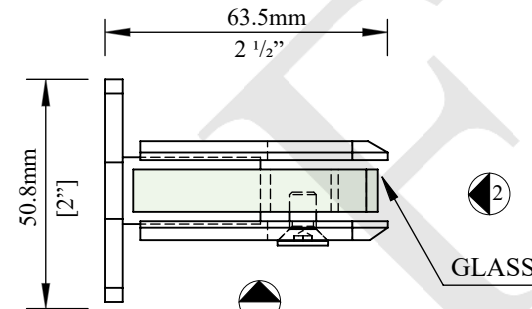
GLASS FABRICATION



ELEVATION 1



ELEVATION 2



PLAN

NOTES:

- PROPRIETARY AND CONFIDENTIAL.
 - THE INFORMATION CONTAINED IN THIS DRAWING IS THE SOLE PROPERTY OF FMF GLASS HARDWARE. ANY REPRODUCTION IN PART OR AS A WHOLE WITHOUT THE WRITTEN PERMISSION OF FMF GLASS HARDWARE IS PROHIBITED.

PRODUCT NAME:

Bevelled Wall Mount
Hinge

DWG NO. G300_1

DATE: 11.22

UNIT:
FT.-IN./MM
DRAWN BY:
FMF

PRODUCT MODEL NUMBER:

G300

DWG SIZE/SCALE
A4/NTS

**FMF GLASS
HARDWARE**

REV. 1
SHEET 1 OF 1