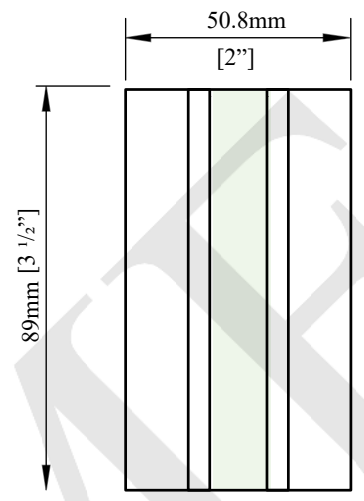
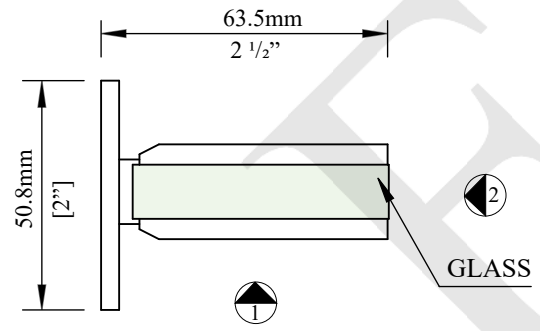


**ELEVATION 1**



**ELEVATION 2**



**PLAN**

<b>NOTES:</b> - PROPRIETARY AND CONFIDENTIAL. - THE INFORMATION CONTAINED IN THIS DRAWING IS THE SOLE PROPERTY OF FMF GLASS HARDWARE. ANY REPRODUCTION IN PART OR AS A WHOLE WITHOUT THE WRITTEN PERMISSION OF FMF GLASS HARDWARE IS PROHIBITED.	PRODUCT NAME: <b>Sleek Design 90° Offset Wall Mount Shower Door Hinge</b>		PRODUCT MODEL NUMBER: <b>G210</b>		
	DWG NO. <b>G210_1</b>	UNIT: <b>FT.-IN./MM</b>	DWG SIZE/SCALE <b>A4/NTS</b>	<b>FMF GLASS HARDWARE</b>	REV. <b>1</b>
	DATE: <b>11.22</b>	DRAWN BY: <b>FMF</b>			SHEET 1 OF 1