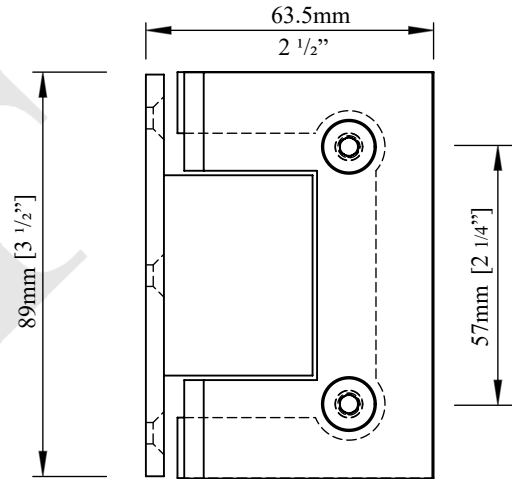
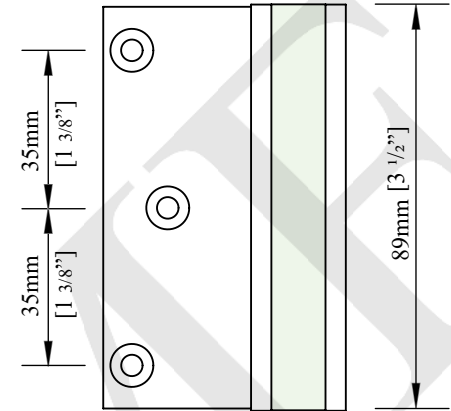


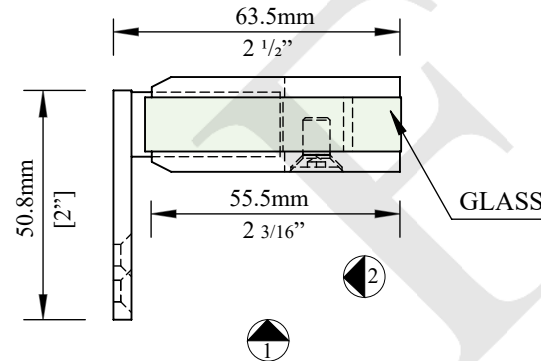
GLASS FABRICATION



ELEVATION 1



ELEVATION 2



PLAN

| | | | | | |
|--|---|----------------------------|--------------------------------------|---------------------------|---------------|
| NOTES: - PROPRIETARY AND CONFIDENTIAL. - THE INFORMATION CONTAINED IN THIS DRAWING IS THE SOLE PROPERTY OF FMF GLASS HARDWARE. ANY REPRODUCTION IN PART OR AS A WHOLE WITHOUT THE WRITTEN PERMISSION OF FMF GLASS HARDWARE IS PROHIBITED. | PRODUCT NAME: Offset Wall Mount Hinge | | PRODUCT MODEL NUMBER: G205 | | |
| | DWG NO. G205 | UNIT: FT.-IN./MM | DWG SIZE/SCALE A4/NTS | FMF GLASS HARDWARE | REV. 1 |
| | DATE: 11.22 | DRAWN BY: FMF | SHEET 1 OF 1 | | |