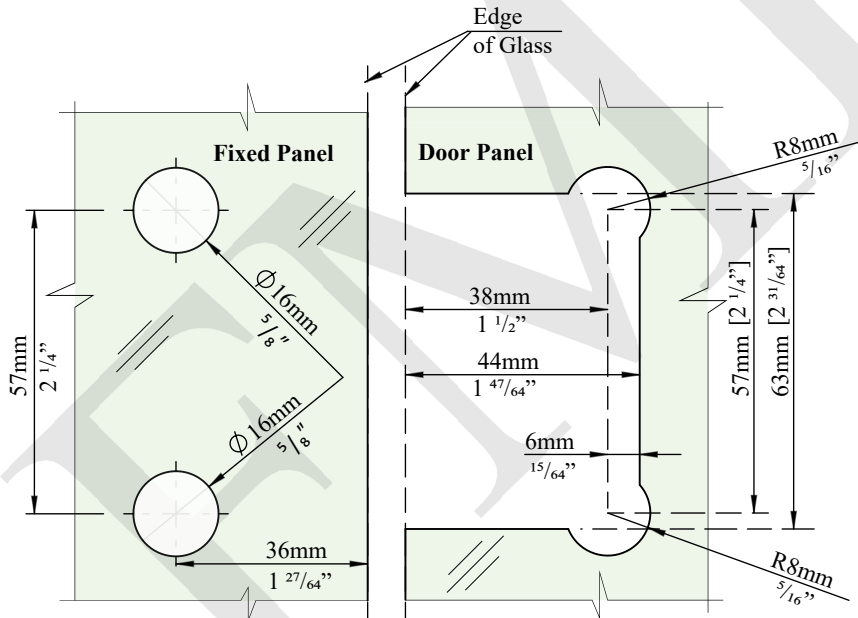


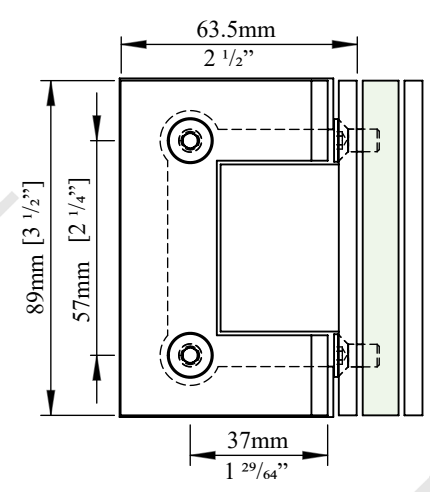
12 11 10 9 8 7 6 5 4 3 2 1

H
G
F
E
D
C
B
A

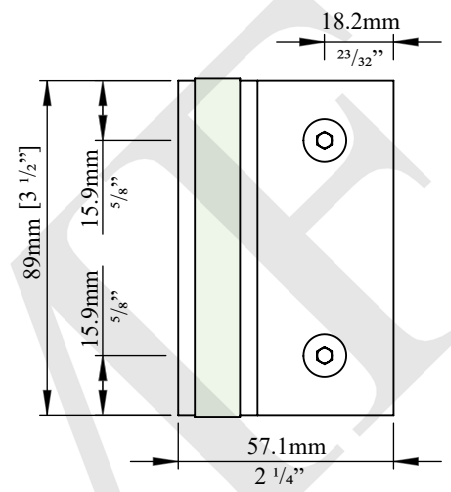
H
G
F
E
D
C
B
A



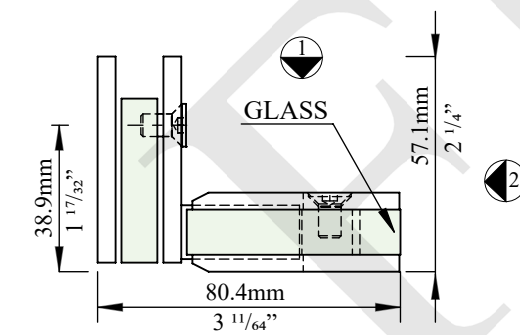
GLASS FABRICATION



ELEVATION 1



ELEVATION 2



PLAN

NOTES: - PROPRIETARY AND CONFIDENTIAL - THE INFORMATION CONTAINED IN THIS DRAWING IS THE SOLE PROPERTY OF FMF GLASS HARDWARE. ANY REPRODUCTION IN PART OR AS A WHOLE WITHOUT THE WRITTEN PERMISSION OF FMF GLASS HARDWARE IS PROHIBITED.	PRODUCT NAME: 90° Standard Glass-to-Glass Hinge		PRODUCT MODEL NUMBER: G204		
	DWG NO. G204_1	UNIT: MM	DWG SIZE/SCALE A4/NTS	FMF GLASS HARDWARE	REV. 1
	DATE: 02.22	DRAWN BY: FMF			SHEET 1 OF 1

12 11 10 9 8 7 6 5 4 3 2 1