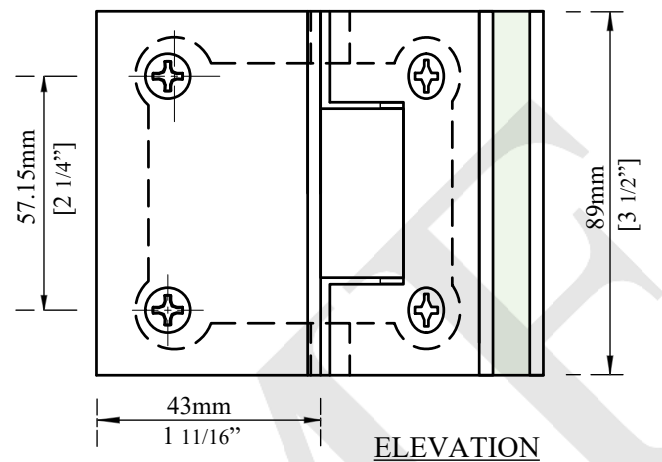
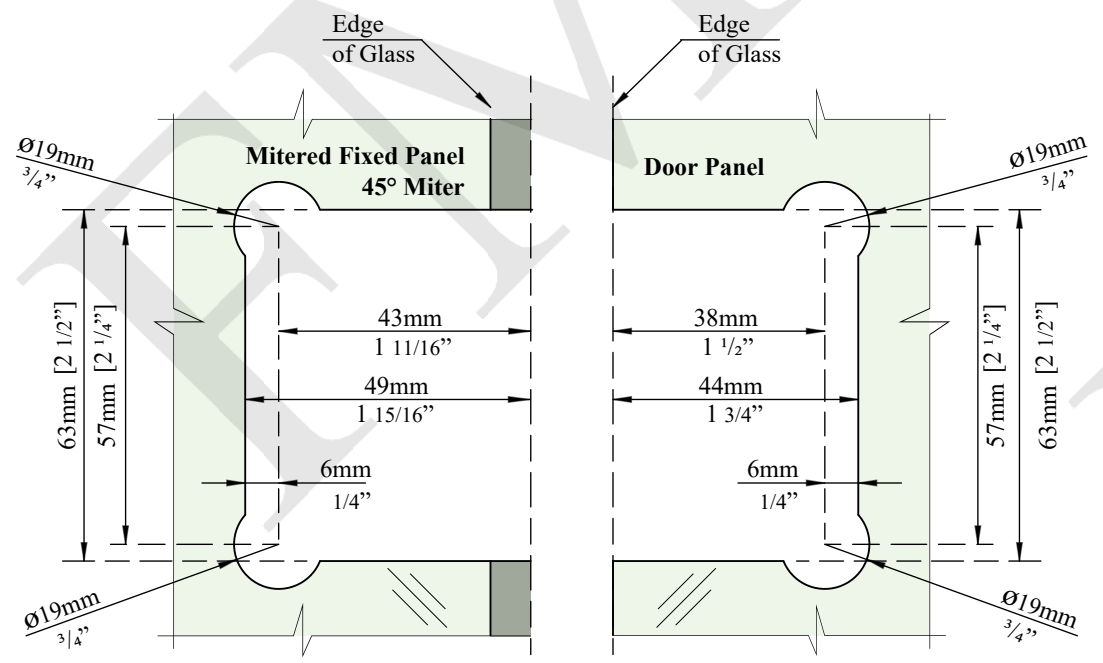


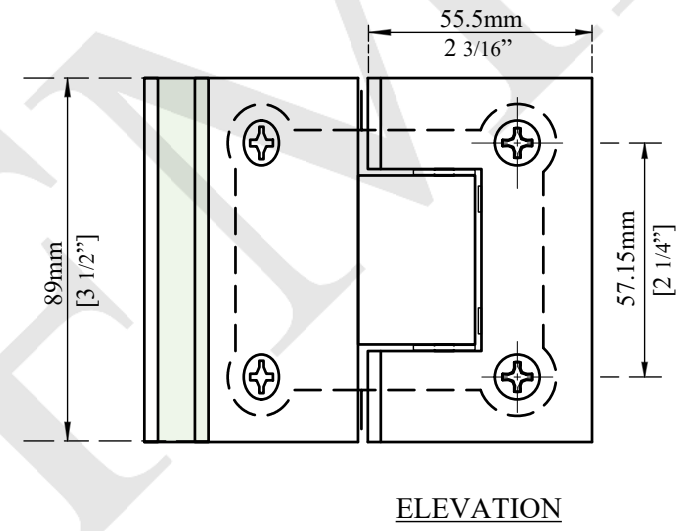
PLAN



ELEVATION



GLASS FABRICATION



ELEVATION

NOTES:
 - PROPRIETARY AND CONFIDENTIAL.
 - THE INFORMATION CONTAINED IN THIS DRAWING IS THE SOLE PROPERTY OF FMF GLASS HARDWARE. ANY REPRODUCTION IN PART OR AS A WHOLE WITHOUT THE WRITTEN PERMISSION OF FMF GLASS HARDWARE IS PROHIBITED.

PRODUCT NAME:
135° Standard Glass-to-Glass Hinge

DWG NO. **G202** UNIT: **FT.-IN./MM**

DATE: **11.22** DRAWN BY: **FMF**

PRODUCT MODEL NUMBER:
G202

DWG SIZE/SCALE: **A4/NTS** **FMF GLASS HARDWARE** REV. **1**

SHEET 1 OF 1