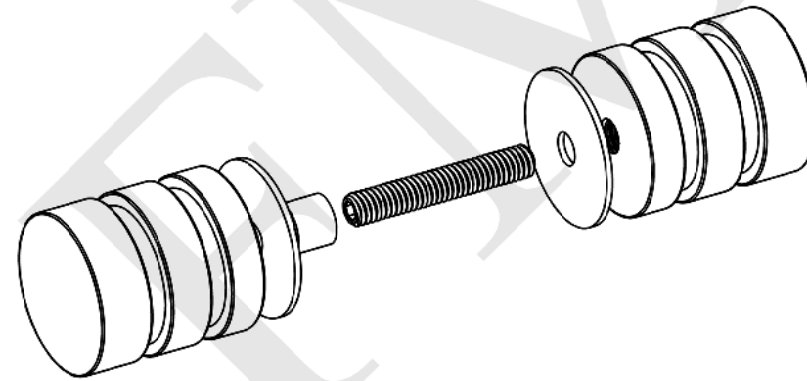


GLASS FABRICATION



NOTES:

- PROPRIETARY AND CONFIDENTIAL.
 - THE INFORMATION CONTAINED IN THIS DRAWING IS THE SOLE PROPERTY OF FMF GLASS HARDWARE. ANY REPRODUCTION IN PART OR AS A WHOLE WITHOUT THE WRITTEN PERMISSION OF FMF GLASS HARDWARE IS PROHIBITED.

PRODUCT NAME:

Modern Door Knob

PRODUCT MODEL NUMBER:

DK-09

DWG NO.

DK-09_1

UNIT:

MM

DWG SIZE/SCALE

A4/NTS

REV.

1

DATE:

05.23

DRAWN BY:

FMF

**FMF GLASS
HARDWARE**

SHEET 1 OF 1