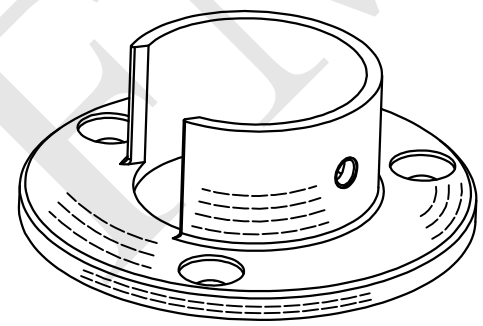
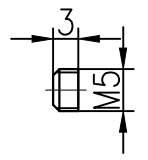
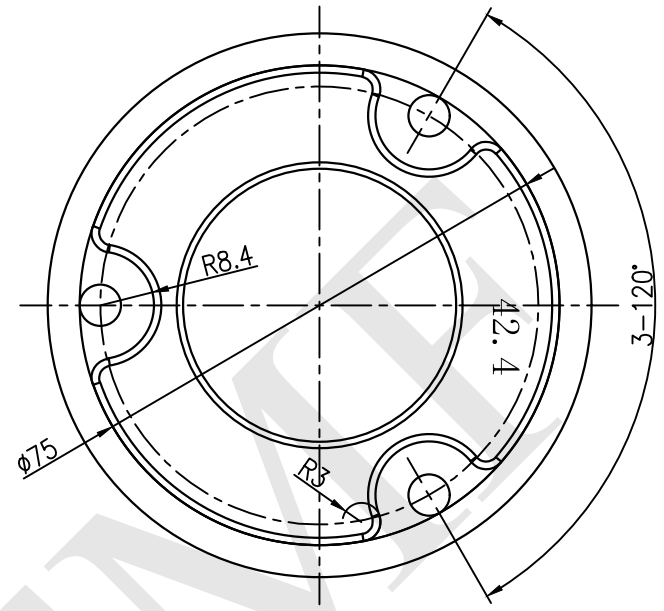
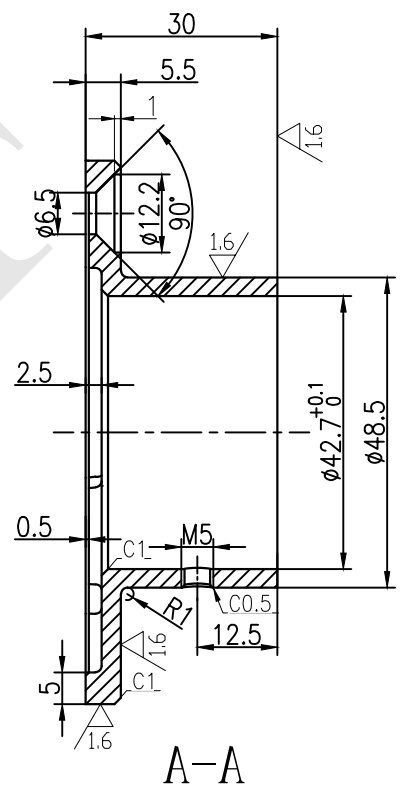
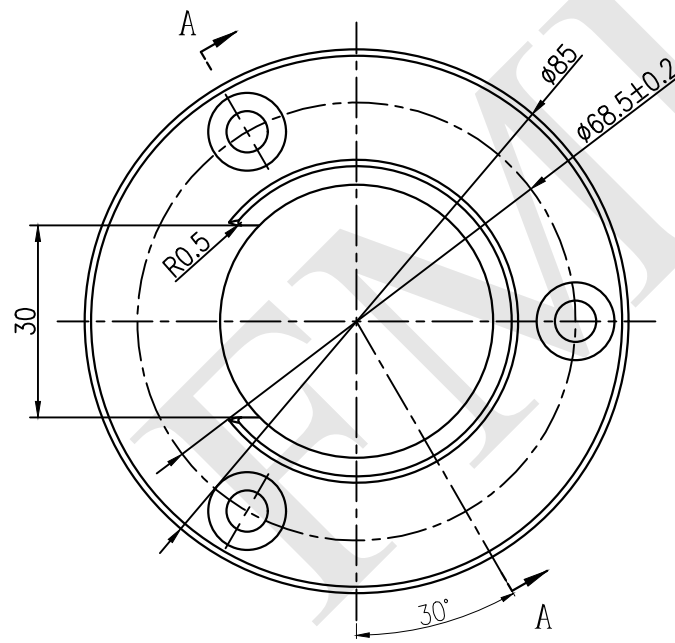


12 11 10 9 8 7 6 5 4 3 2 1

3.2



<p>NOTES:</p> <p>- PROPRIETARY AND CONFIDENTIAL - THE INFORMATION CONTAINED IN THIS DRAWING IS THE SOLE PROPERTY OF FMF GLASS HARDWARE. ANY REPRODUCTION IN PART OR AS A WHOLE WITHOUT THE WRITTEN PERMISSION OF FMF GLASS HARDWARE IS PROHIBITED.</p>	<p>PRODUCT NAME: Flange Disc for 42.4mm Ø Cap Handrail</p>		<p>PRODUCT MODEL NUMBER: DIS-C424</p>		
	<p>DWG NO. DIS-C424_1</p>	<p>UNIT: MM</p>	<p>DWG SIZE/SCALE A4/NTS</p>	<p>FMF GLASS HARDWARE</p>	
	<p>DATE: 01.23</p>	<p>DRAWN BY: FMF</p>	<p>REV. 1</p>		<p>SHEET 1 OF 1</p>

12 11 10 9 8 7 6 5 4 3 2 1