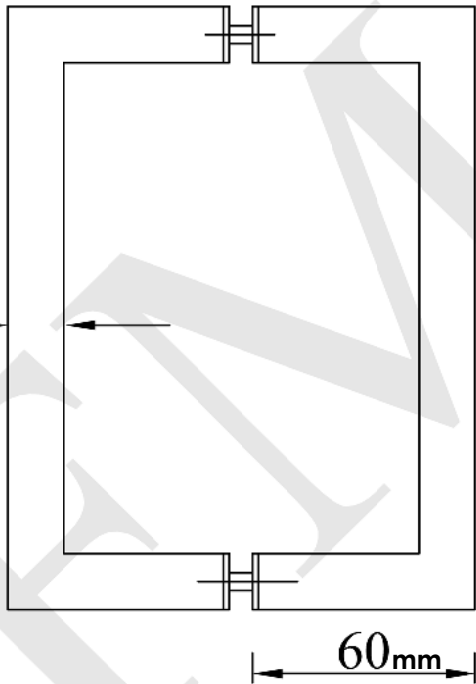
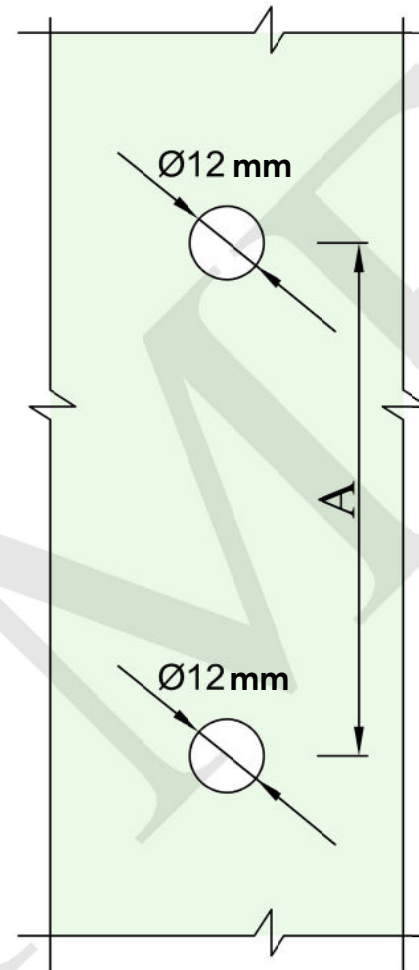


Ø19
(mm)



60mm

A



GLASS FABRICATION

MODEL	A
DH62-6	6"
DH62-8	8"
DH62-12	12"

NOTES:

- PROPRIETARY AND CONFIDENTIAL
 - THE INFORMATION CONTAINED IN THIS DRAWING IS THE SOLE PROPERTY OF FMF GLASS HARDWARE. ANY REPRODUCTION IN PART OR AS A WHOLE WITHOUT THE WRITTEN PERMISSION OF FMF GLASS HARDWARE IS PROHIBITED.

PRODUCT NAME:

Square Series Pull Handle

PRODUCT MODEL NUMBER:

DH62

DWG NO.
DH62_1

UNIT:
MM

DWG SIZE/SCALE
A4/NTS

**FMF GLASS
HARDWARE**

REV. 1

DATE:
05.23

DRAWN BY:
FMF

SHEET 1 OF 1