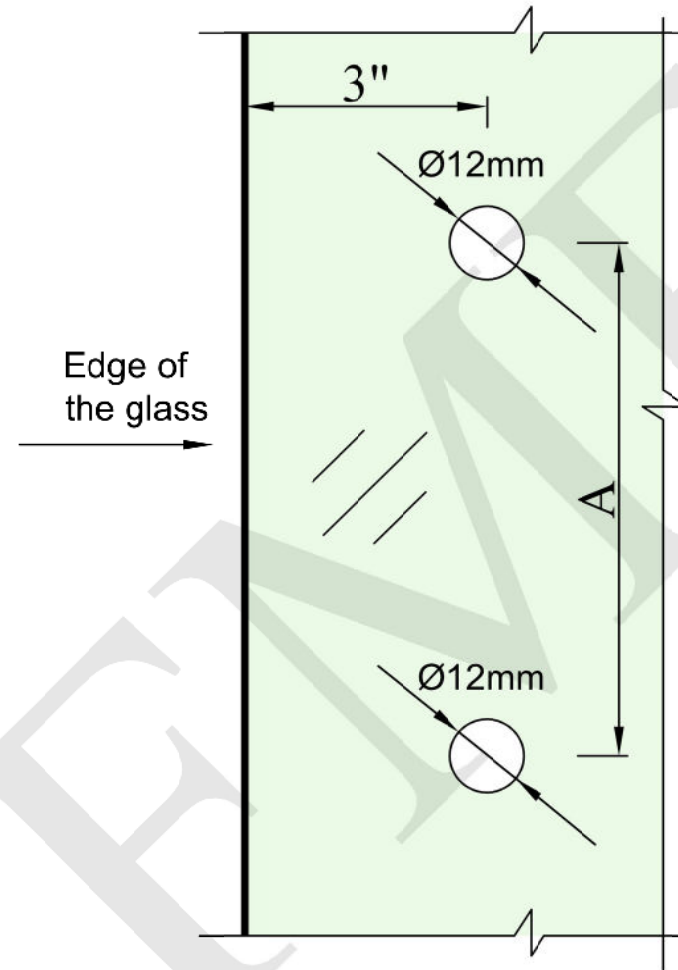
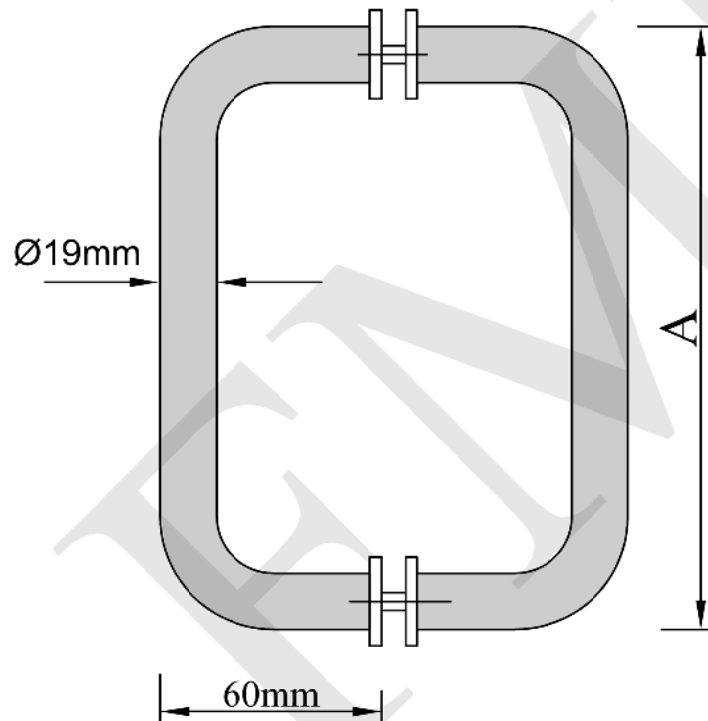


12 11 10 9 8 7 6 5 4 3 2 1

H
G
F
E
D
C
B
A

H
G
F
E
D
C
B
A



GLASS FABRICATION

MODEL	A
DH10-6	6"
DH10-8	8"
DH10-12	12"

NOTES:
 - PROPRIETARY AND CONFIDENTIAL
 - THE INFORMATION CONTAINED IN THIS DRAWING IS THE SOLE PROPERTY OF FMF GLASS HARDWARE. ANY REPRODUCTION IN PART OR AS A WHOLE WITHOUT THE WRITTEN PERMISSION OF FMF GLASS HARDWARE IS PROHIBITED.

PRODUCT NAME:
Round Series Pull Handle

DWG NO.
DH10_1

DATE:
05.23

UNIT:
MM

DRAWN BY:
FMF

PRODUCT MODEL NUMBER:
DH10

DWG SIZE/SCALE
A4/NTS

REV. **1**

FMF GLASS HARDWARE

SHEET 1 OF 1

12 11 10 9 8 7 6 5 4 3 2 1