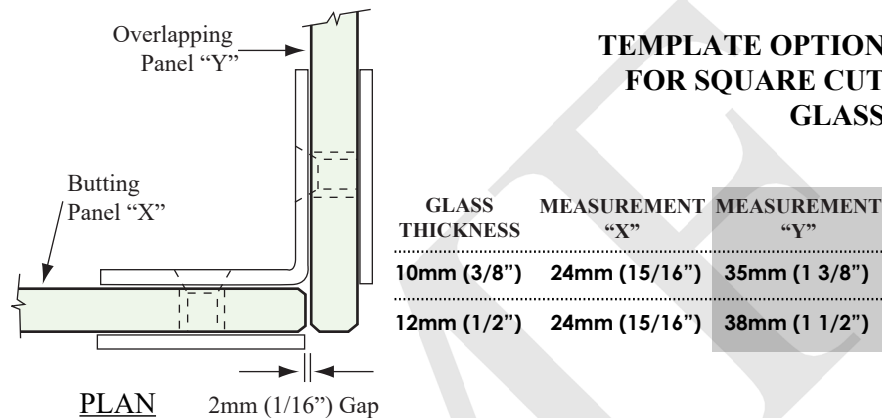
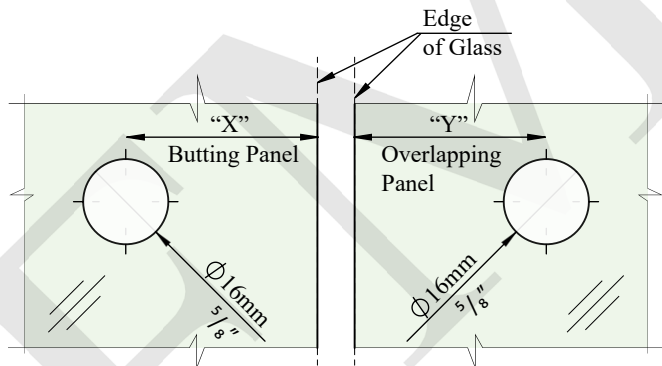
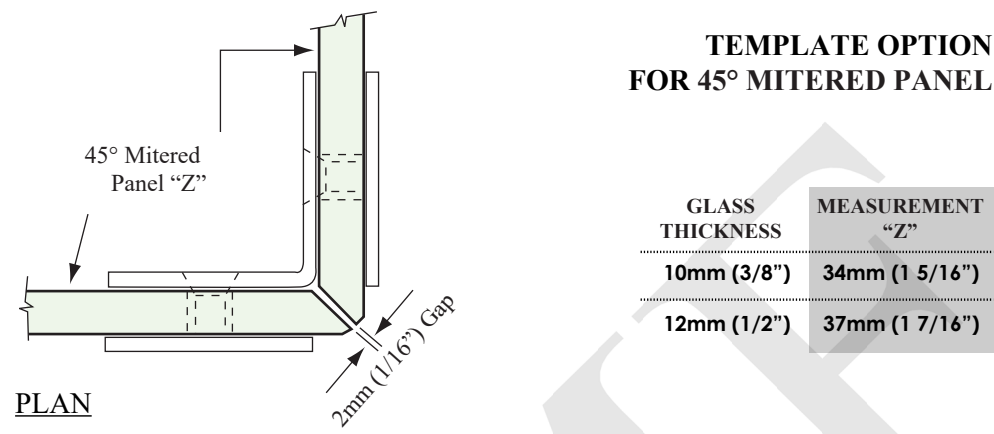


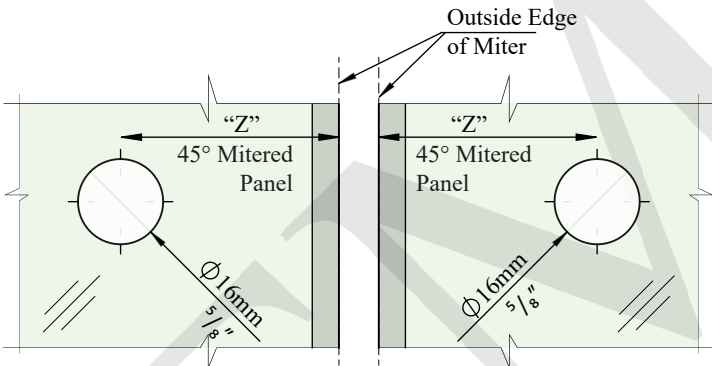
TEMPLATE OPTION FOR SQUARE CUT GLASS



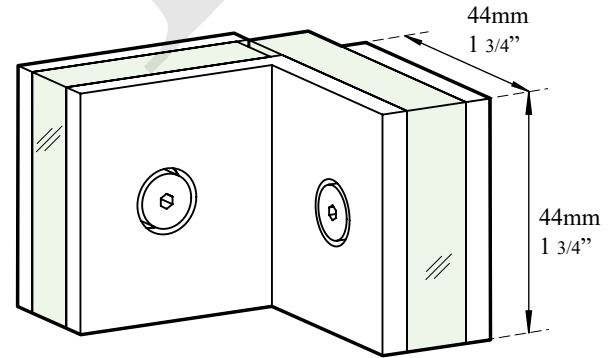
TEMPLATE OPTION FOR 45° MITERED PANEL



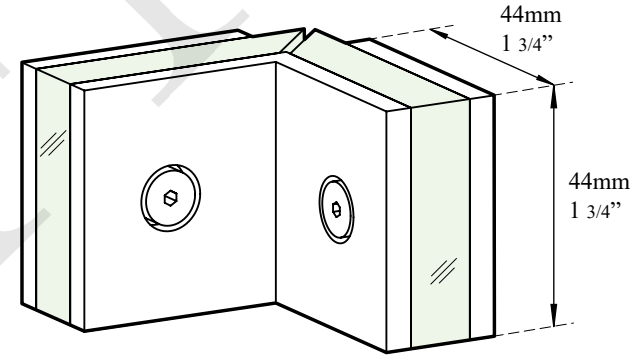
GLASS FABRICATION



GLASS FABRICATION



3D VIEW



3D VIEW

NOTES: - PROPRIETARY AND CONFIDENTIAL - THE INFORMATION CONTAINED IN THIS DRAWING IS THE SOLE PROPERTY OF FMF GLASS HARDWARE. ANY REPRODUCTION IN PART OR AS A WHOLE WITHOUT THE WRITTEN PERMISSION OF FMF GLASS HARDWARE IS PROHIBITED.		PRODUCT NAME: 90° Glass-to-Glass Clamp		PRODUCT MODEL NUMBER: C827	
DWG NO. C827_1	UNIT: MM	DWG SIZE/SCALE A4/NTS	FMF GLASS HARDWARE	REV. 1	
DATE: 02.22	DRAWN BY: FMF			SHEET 1 OF 1	