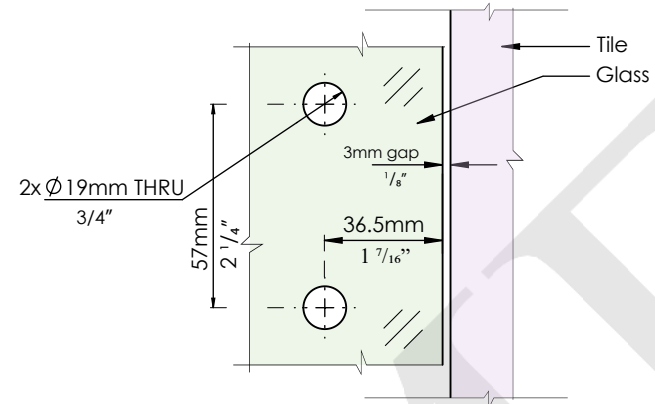
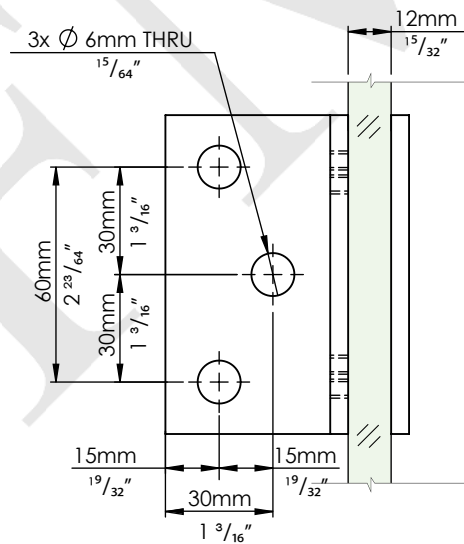


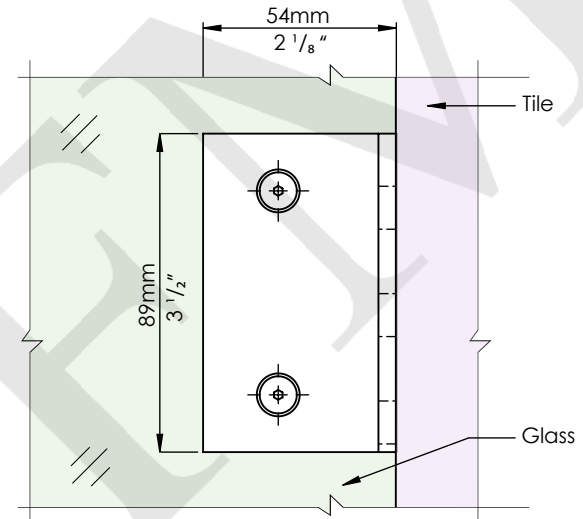
Plan



Glass Fabrication



Elevation A



Elevation B

NOTES:
 - PROPRIETARY AND CONFIDENTIAL
 - THE INFORMATION CONTAINED IN THIS DRAWING IS THE SOLE PROPERTY OF FMF GLASS HARDWARE. ANY REPRODUCTION IN PART OR AS A WHOLE WITHOUT THE WRITTEN PERMISSION OF FMF GLASS HARDWARE IS PROHIBITED.

PRODUCT NAME:
Heavy-Duty Offset Glass Clamp

PRODUCT MODEL NUMBER:
C825

DWG NO.
C825_1
 DATE:
01.22

UNIT:
MM
 DRAWN BY:
FMF

DWG SIZE/SCALE
A4/NTS

**FMF GLASS
 HARDWARE**

REV. **1**
 SHEET **1** OF **1**