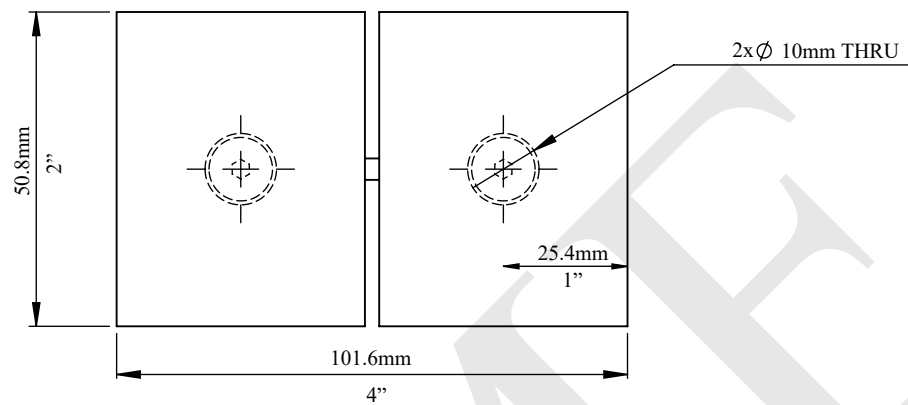
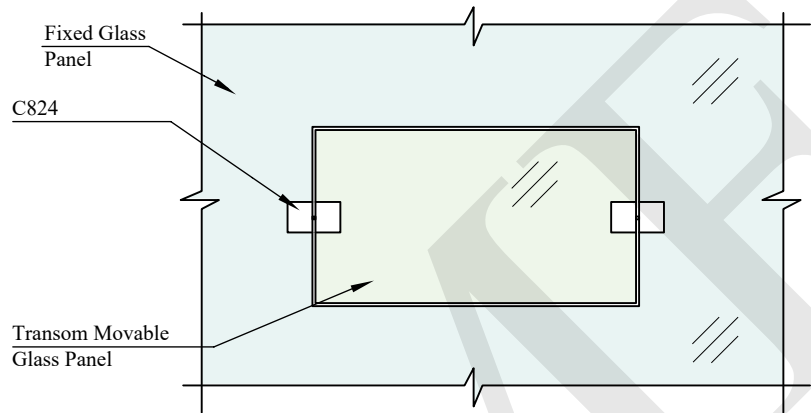
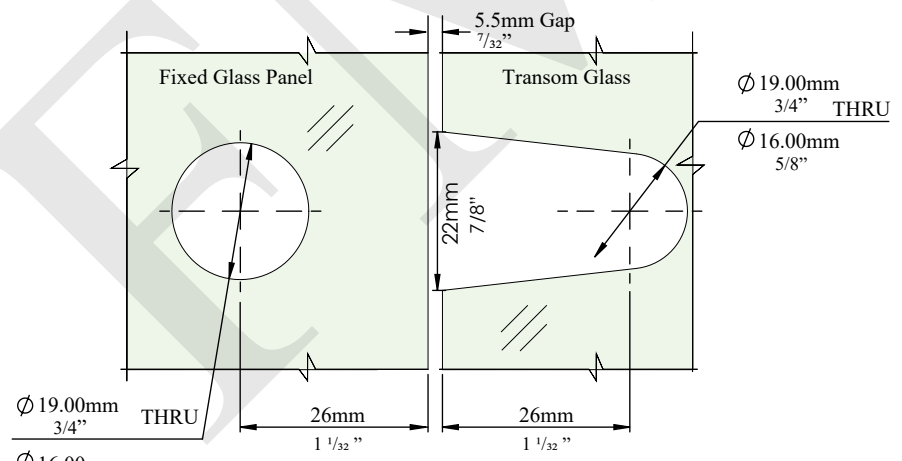


12 11 10 9 8 7 6 5 4 3 2 1

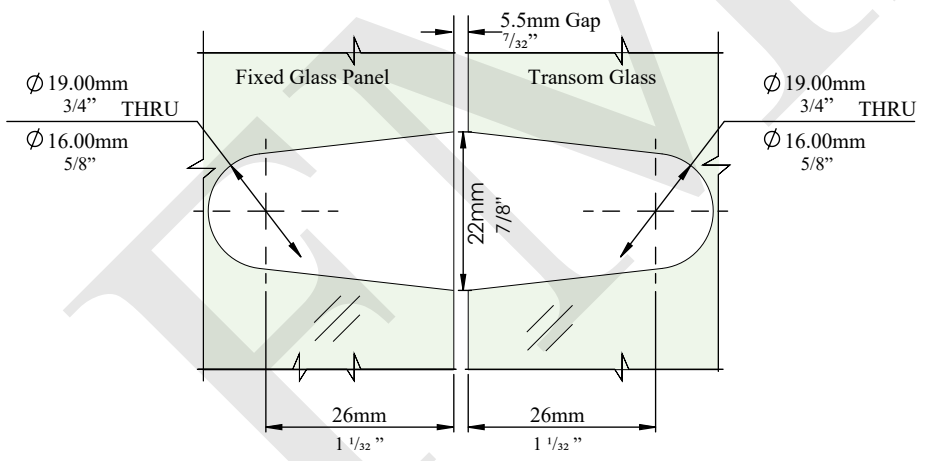
H
G
F
E
D
C
B
A



PRODUCT ELEVATION



GLASS FABRICATION
OPTION 1



GLASS FABRICATION
OPTION 2

NOTES: - PROPRIETARY AND CONFIDENTIAL - THE INFORMATION CONTAINED IN THIS DRAWING IS THE SOLE PROPERTY OF FMF GLASS HARDWARE. ANY REPRODUCTION IN PART OR AS A WHOLE WITHOUT THE WRITTEN PERMISSION OF FMF GLASS HARDWARE IS PROHIBITED.	PRODUCT NAME: Transom Glass Clamp		PRODUCT MODEL NUMBER: C824		
	DWG NO. C824_1	UNIT: MM	DWG SIZE/SCALE A4/NTS	FMF GLASS HARDWARE	REV. 1
	DATE: 03.23	DRAWN BY: FMF			SHEET 1 OF 1

12 11 10 9 8 7 6 5 4 3 2 1