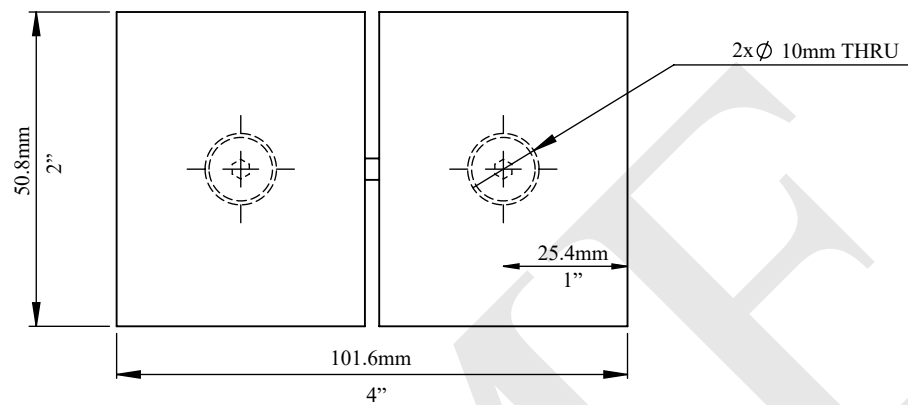
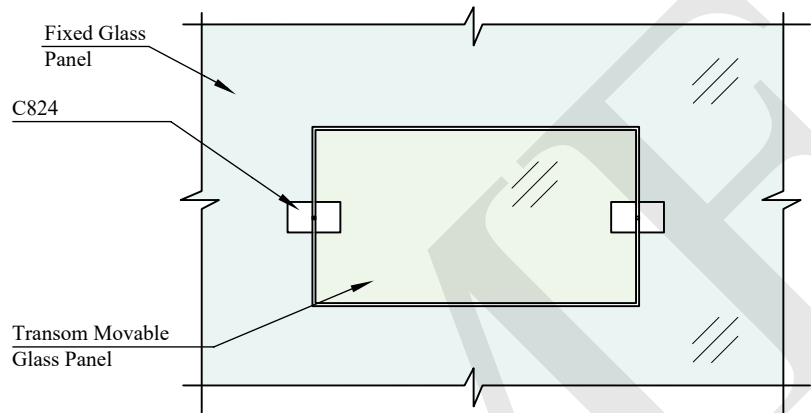
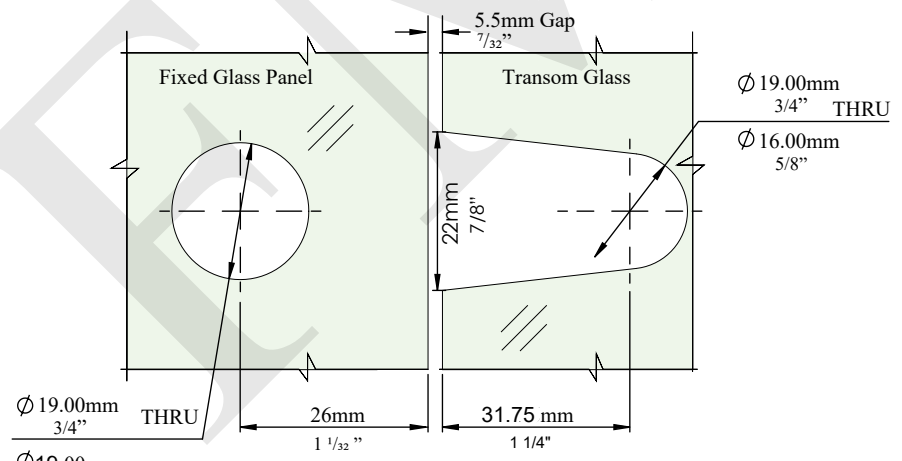


12 11 10 9 8 7 6 5 4 3 2 1

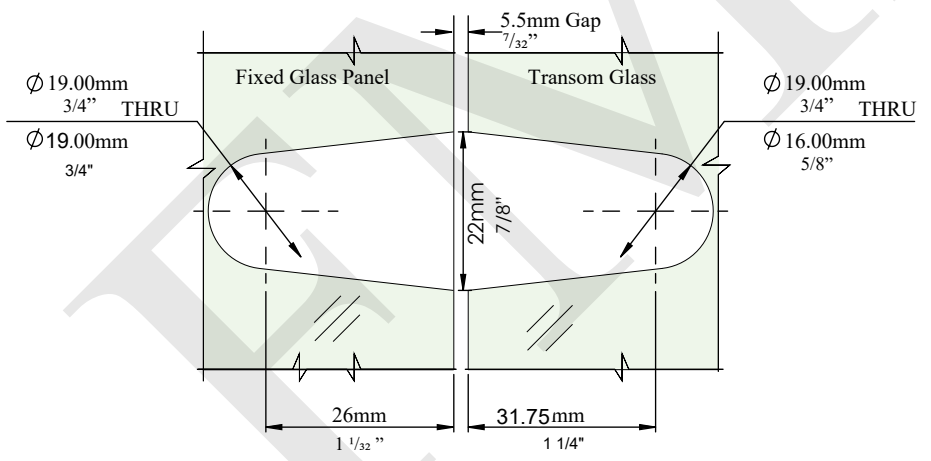
H  
G  
F  
E  
D  
C  
B  
A



PRODUCT ELEVATION



GLASS FABRICATION  
OPTION 1



GLASS FABRICATION  
OPTION 2

<p><b>NOTES:</b></p> <p>- PROPRIETARY AND CONFIDENTIAL - THE INFORMATION CONTAINED IN THIS DRAWING IS THE SOLE PROPERTY OF FMF GLASS HARDWARE. ANY REPRODUCTION IN PART OR AS A WHOLE WITHOUT THE WRITTEN PERMISSION OF FMF GLASS HARDWARE IS PROHIBITED.</p>	<p>PRODUCT NAME: <b>Transom Glass Clamp</b></p>		<p>PRODUCT MODEL NUMBER: <b>C824</b></p>		
	<p>DWG NO. <b>C824_1</b></p>	<p>UNIT: <b>MM</b></p>	<p>DWG SIZE/SCALE <b>A4/NTS</b></p>	<p><b>FMF GLASS HARDWARE</b></p>	<p>REV. <b>1</b></p>
	<p>DATE: <b>03.23</b></p>	<p>DRAWN BY: <b>FMF</b></p>			<p>SHEET 1 OF 1</p>

12 11 10 9 8 7 6 5 4 3 2 1