

12 11 10 9 8 7 6 5 4 3 2 1

H

G

F

E

D

C

B

A

H

G

F

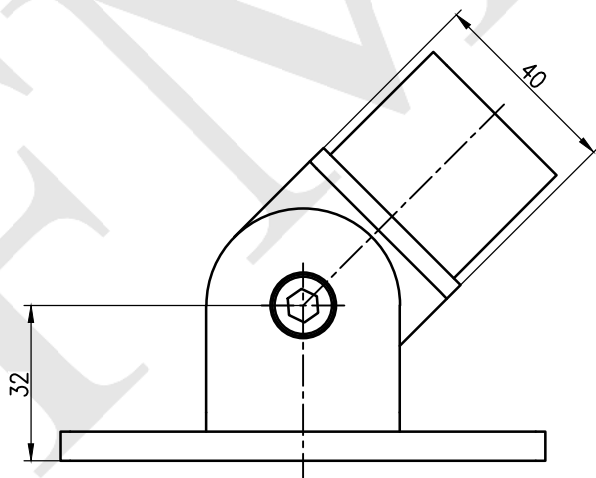
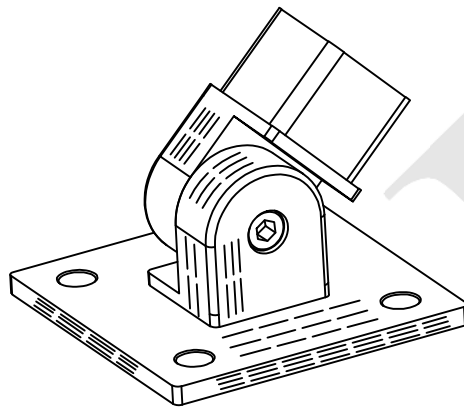
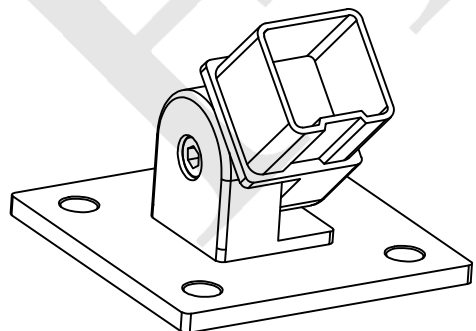
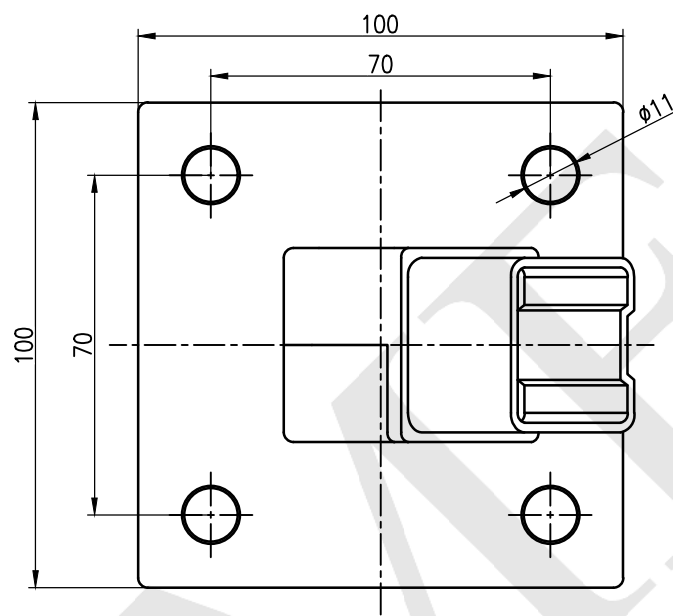
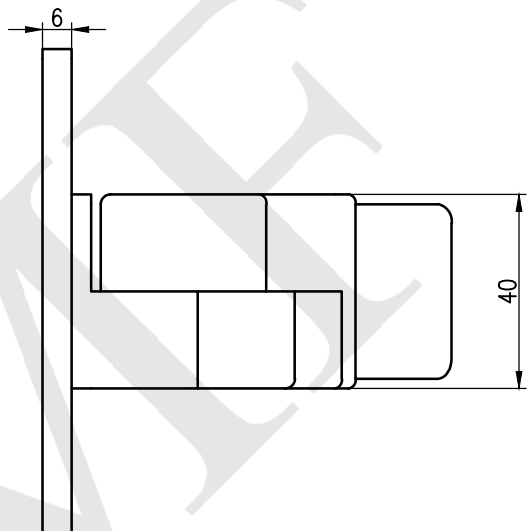
E

D

C

B

A



<b>NOTES:</b> - PROPRIETARY AND CONFIDENTIAL. - THE INFORMATION CONTAINED IN THIS DRAWING IS THE SOLE PROPERTY OF FMF GLASS HARDWARE. ANY REPRODUCTION IN PART OR AS A WHOLE WITHOUT THE WRITTEN PERMISSION OF FMF GLASS HARDWARE IS PROHIBITED.	<b>PRODUCT NAME:</b> Square Flexible Tube Mount for 40x40mm Square Handrail		<b>PRODUCT MODEL NUMBER:</b> ABM-4040		
	<b>DWG NO.</b> ABM-4040_1	<b>UNIT:</b> MM	<b>DWG SIZE/SCALE</b> A4/NTS	<b>FMF GLASS HARDWARE</b>	<b>REV.</b> 1
	<b>DATE:</b> 10.22	<b>DRAWN BY:</b> FMF	SHEET 1 OF 1		

12 11 10 9 8 7 6 5 4 3 2 1