

12

11

10

9

8

7

6

5

4

3

2

1

H

G

F

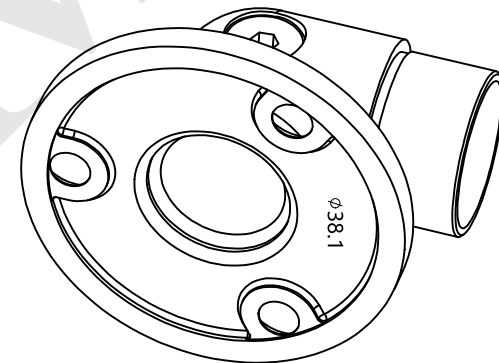
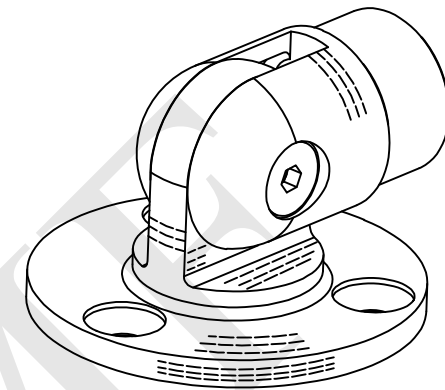
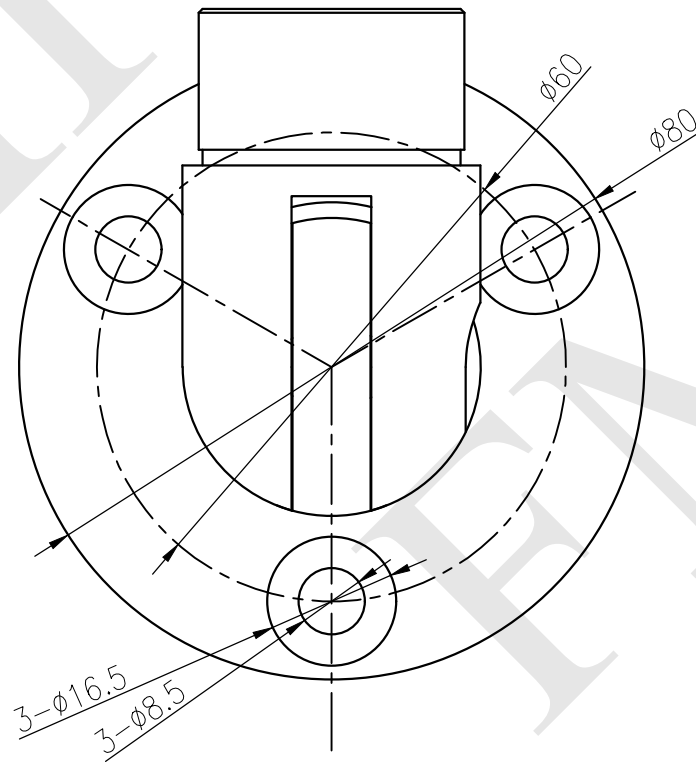
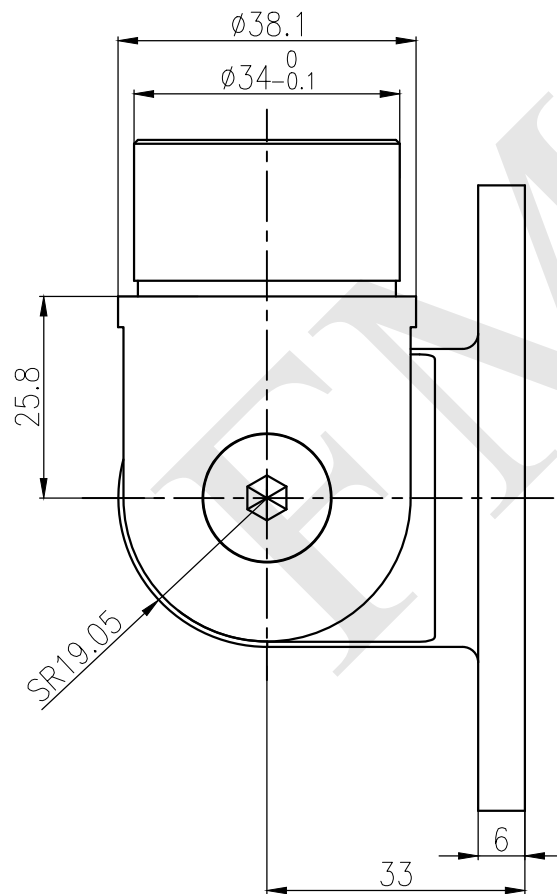
E

D

C

B

A

**NOTES:**

- PROPRIETARY AND CONFIDENTIAL
 - THE INFORMATION CONTAINED IN THIS
 DRAWING IS THE SOLE PROPERTY OF FMF
 GLASS HARDWARE. ANY REPRODUCTION
 IN PART OR AS A WHOLE WITHOUT THE
 WRITTEN PERMISSION OF FMF GLASS
 HARDWARE IS PROHIBITED.

PRODUCT NAME:

Flexible Base Mount for 38.1mm Ø
 Handrail

PRODUCT MODEL NUMBER:

ABM-381

DWG NO.

ABM-381_1

UNIT:

MM

DWG SIZE/SCALE

A4/NTS

**FMF GLASS
 HARDWARE**

REV.

1

DATE:

01.23

DRAWN BY:

FMF

SHEET 1 OF 1

12

11

10

9

8

7

6

5

4

3

2

1