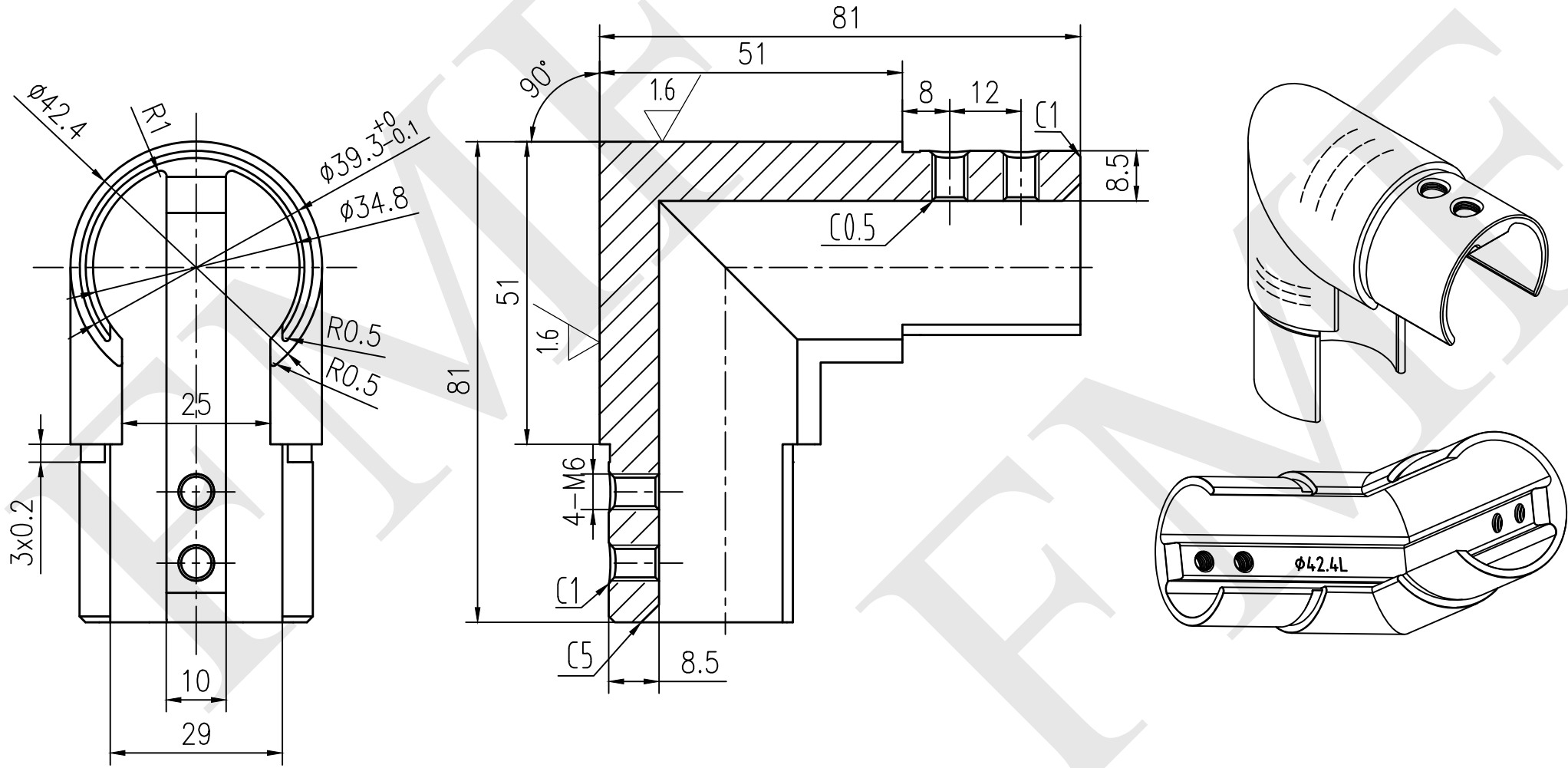


12 11 10 9 8 7 6 5 4 3 2 1

3.2



| | | | | | |
|---|---|------------------|--------------------------------------|-------------------------------|--------------|
| NOTES: - PROPRIETARY AND CONFIDENTIAL - THE INFORMATION CONTAINED IN THIS DRAWING IS THE SOLE PROPERTY OF FMF GLASS HARDWARE. ANY REPRODUCTION IN PART OR AS A WHOLE WITHOUT THE WRITTEN PERMISSION OF FMF GLASS HARDWARE IS PROHIBITED. | PRODUCT NAME: 90° Vertical Elbow for 42.4mm Ø Cap Handrail | | PRODUCT MODEL NUMBER: 90ELB-C424V | | |
| | DWG NO. 90ELB-C424V_1 | UNIT: MM | DWG SIZE/SCALE | FMF GLASS HARDWARE | REV. 1 |
| | DATE: 02.23 | DRAWN BY: FMF | A4/NTS | | SHEET 1 OF 1 |

12 11 10 9 8 7 6 5 4 3 2 1