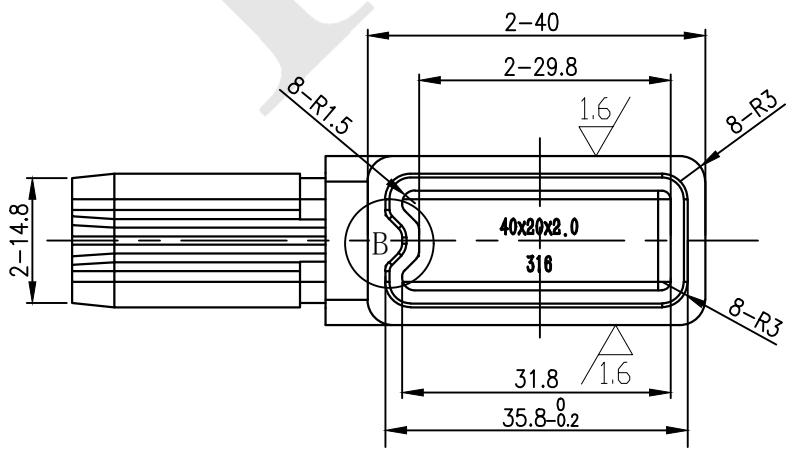
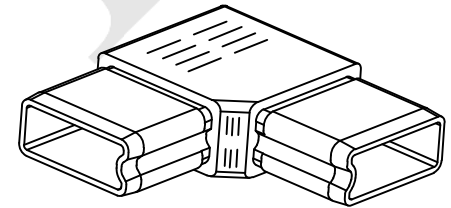
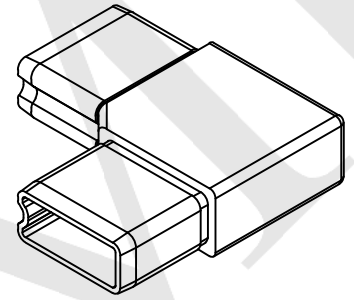
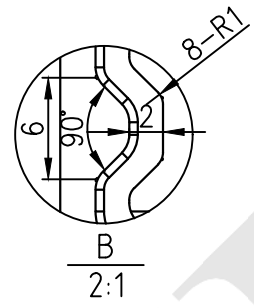
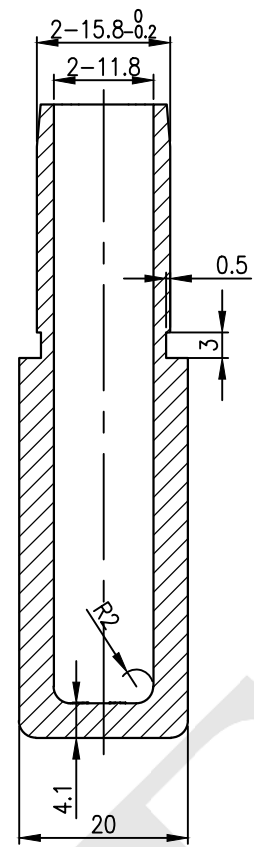
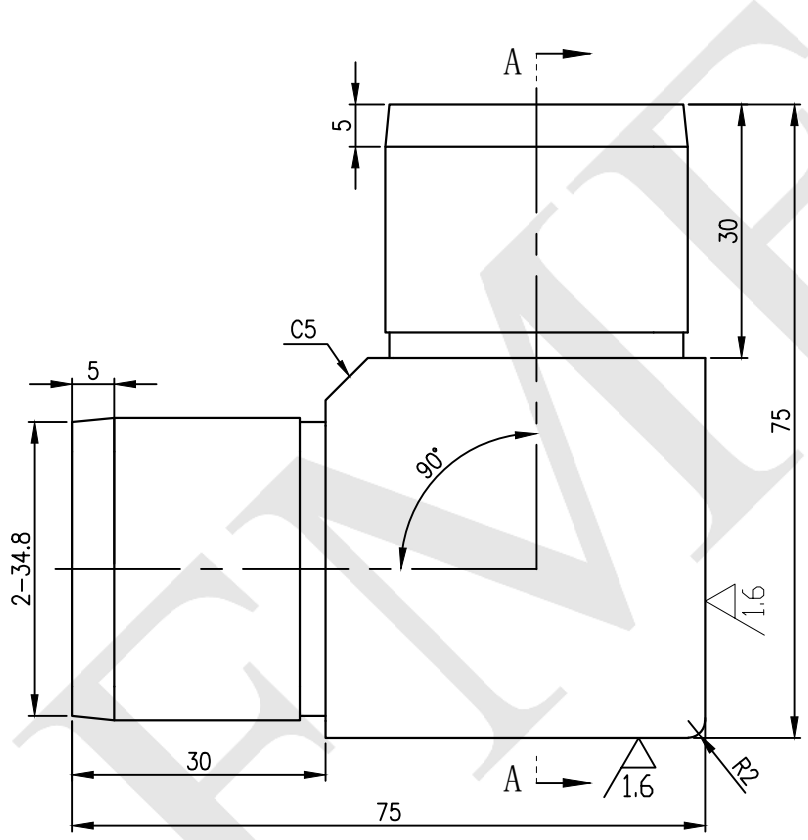


12 11 10 9 8 7 6 5 4 3 2 1

H
G
F
E
D
C
B
A

H
G
F
E
D
C
B
A

3.2



NOTES:
 - PROPRIETARY AND CONFIDENTIAL
 - THE INFORMATION CONTAINED IN THIS DRAWING IS THE SOLE PROPERTY OF FMF GLASS HARDWARE. ANY REPRODUCTION IN PART OR AS A WHOLE WITHOUT THE WRITTEN PERMISSION OF FMF GLASS HARDWARE IS PROHIBITED.

PRODUCT NAME:
 90° Elbow for 40x20mm Square Handrail

DWG NO.
 90ELB-4020_1

DATE:
 11.22

PRODUCT MODEL NUMBER:
 90ELB-4020

DWG SIZE/SCALE:
 A4/NTS

UNIT:
 MM

DRAWN BY:
 FMF

REV. 1
 SHEET 1 OF 1

12 11 10 9 8 7 6 5 4 3 2 1