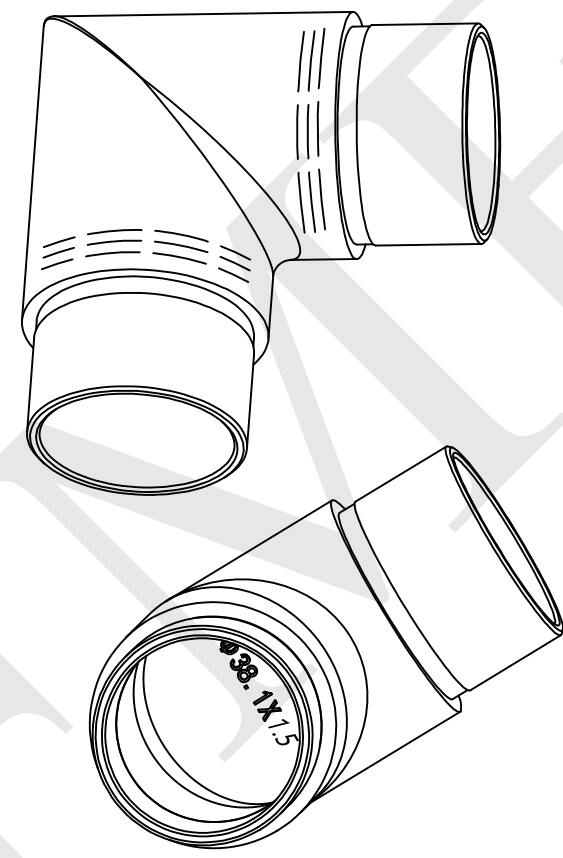
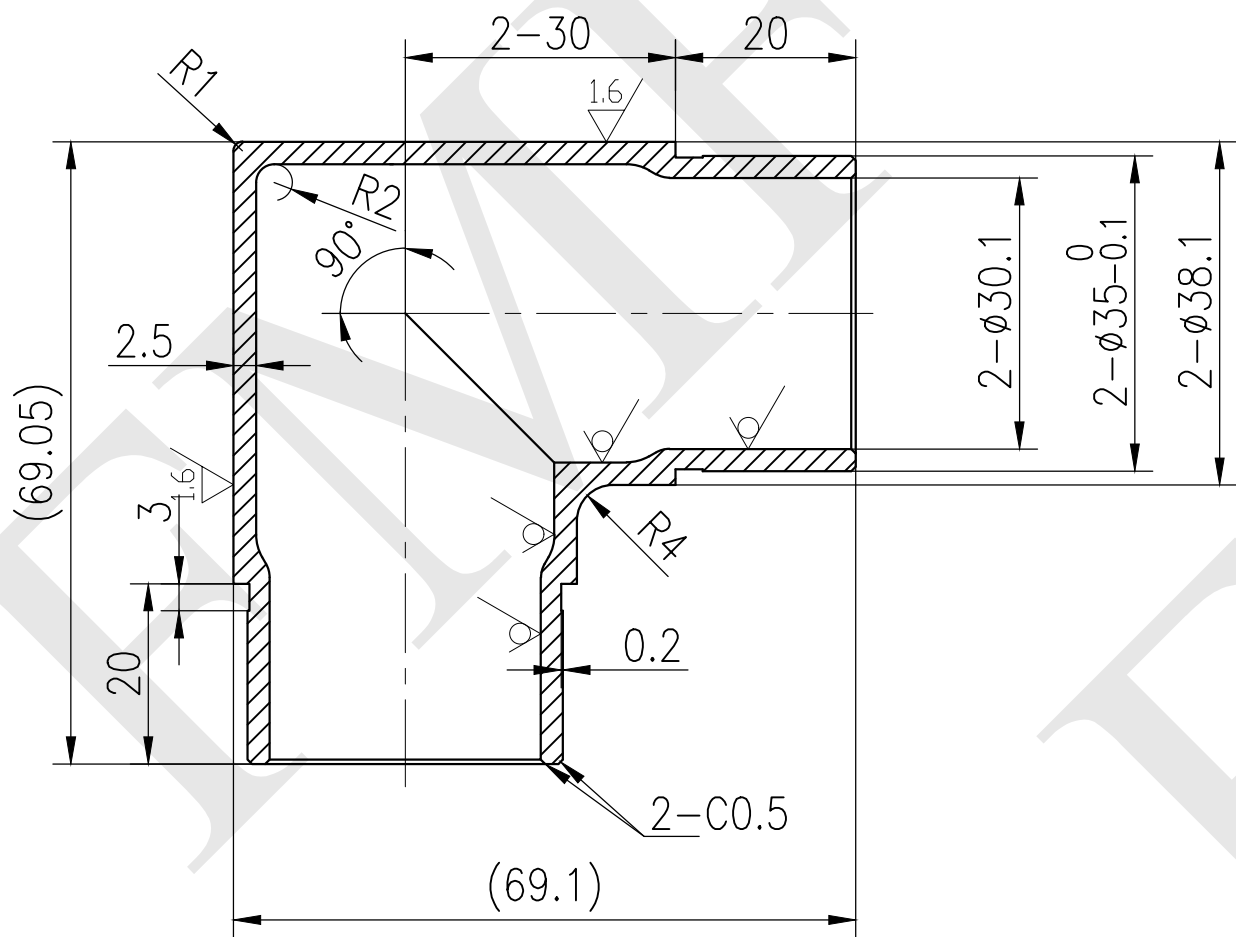


12 11 10 9 8 7 6 5 4 3 2 1

3.2



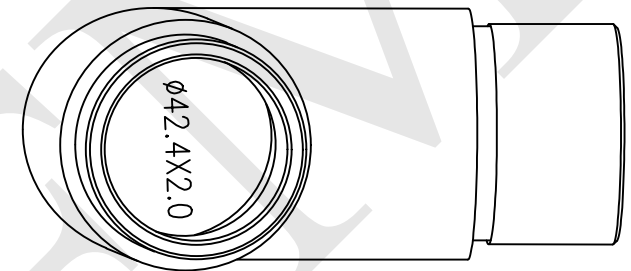
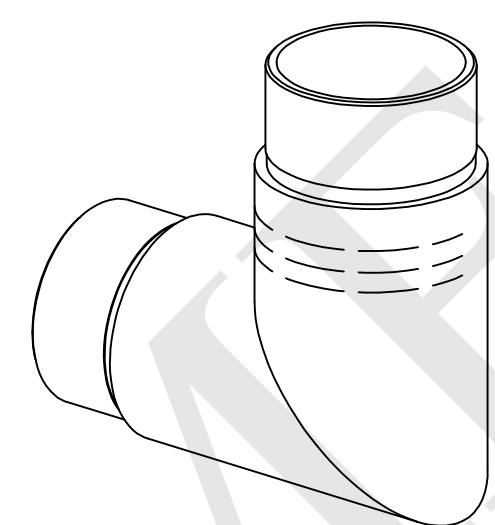
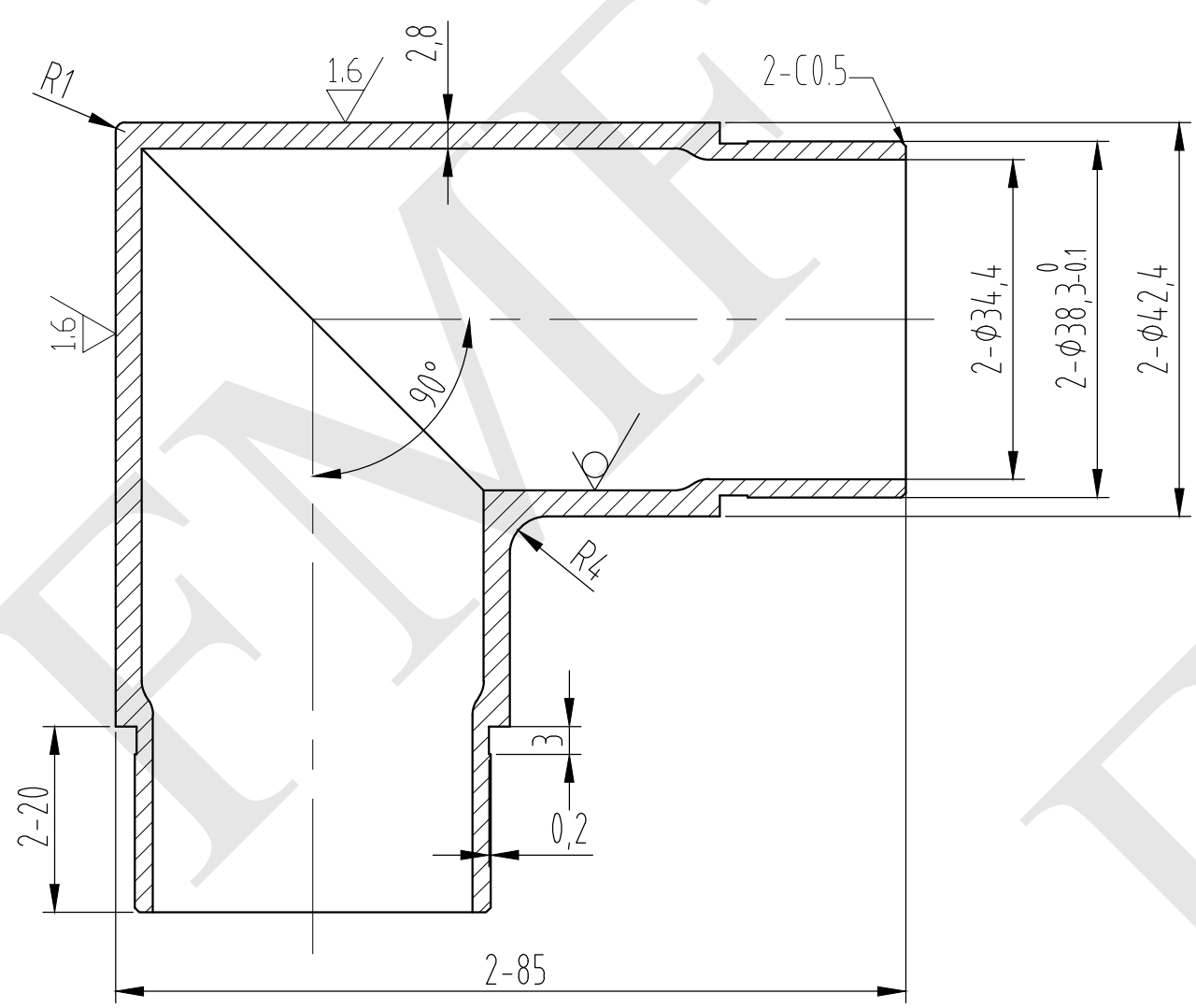
NOTES: - PROPRIETARY AND CONFIDENTIAL - THE INFORMATION CONTAINED IN THIS DRAWING IS THE SOLE PROPERTY OF FMF GLASS HARDWARE. ANY REPRODUCTION IN PART OR AS A WHOLE WITHOUT THE WRITTEN PERMISSION OF FMF GLASS HARDWARE IS PROHIBITED.	PRODUCT NAME: 90° Sharp Elbow for 38.1mm Round Handrail		PRODUCT MODEL NUMBER: 90ELB-381S		
	DWG NO. 90ELB-381S_1	UNIT: MM	DWG SIZE/SCALE A4/NTS	FMF GLASS HARDWARE	REV. 1
	DATE: 12.22	DRAWN BY: FMF			SHEET 1 OF 1

12 11 10 9 8 7 6 5 4 3 2 1

12 11 10 9 8 7 6 5 4 3 2 1

H
G
F
E
D
C
B
A

H
G
F
E
D
C
B
A



3.2

NOTES: - PROPRIETARY AND CONFIDENTIAL - THE INFORMATION CONTAINED IN THIS DRAWING IS THE SOLE PROPERTY OF FMF GLASS HARDWARE. ANY REPRODUCTION IN PART OR AS A WHOLE WITHOUT THE WRITTEN PERMISSION OF FMF GLASS HARDWARE IS PROHIBITED.	PRODUCT NAME: 90° Sharp Elbow for 42.4mm Round Handrail		PRODUCT MODEL NUMBER: 90ELB-424S		
	DWG NO. 90ELB-424S_1	UNIT: MM	DWG SIZE/SCALE A4/NTS	FMF GLASS HARDWARE	
	DATE: 12.22	DRAWN BY: FMF	REV. 1		SHEET 1 OF 1

12 11 10 9 8 7 6 5 4 3 2 1