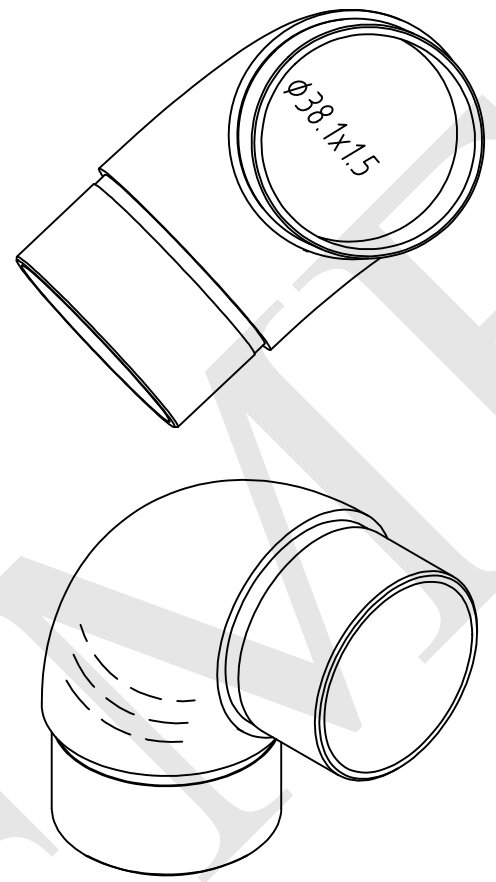
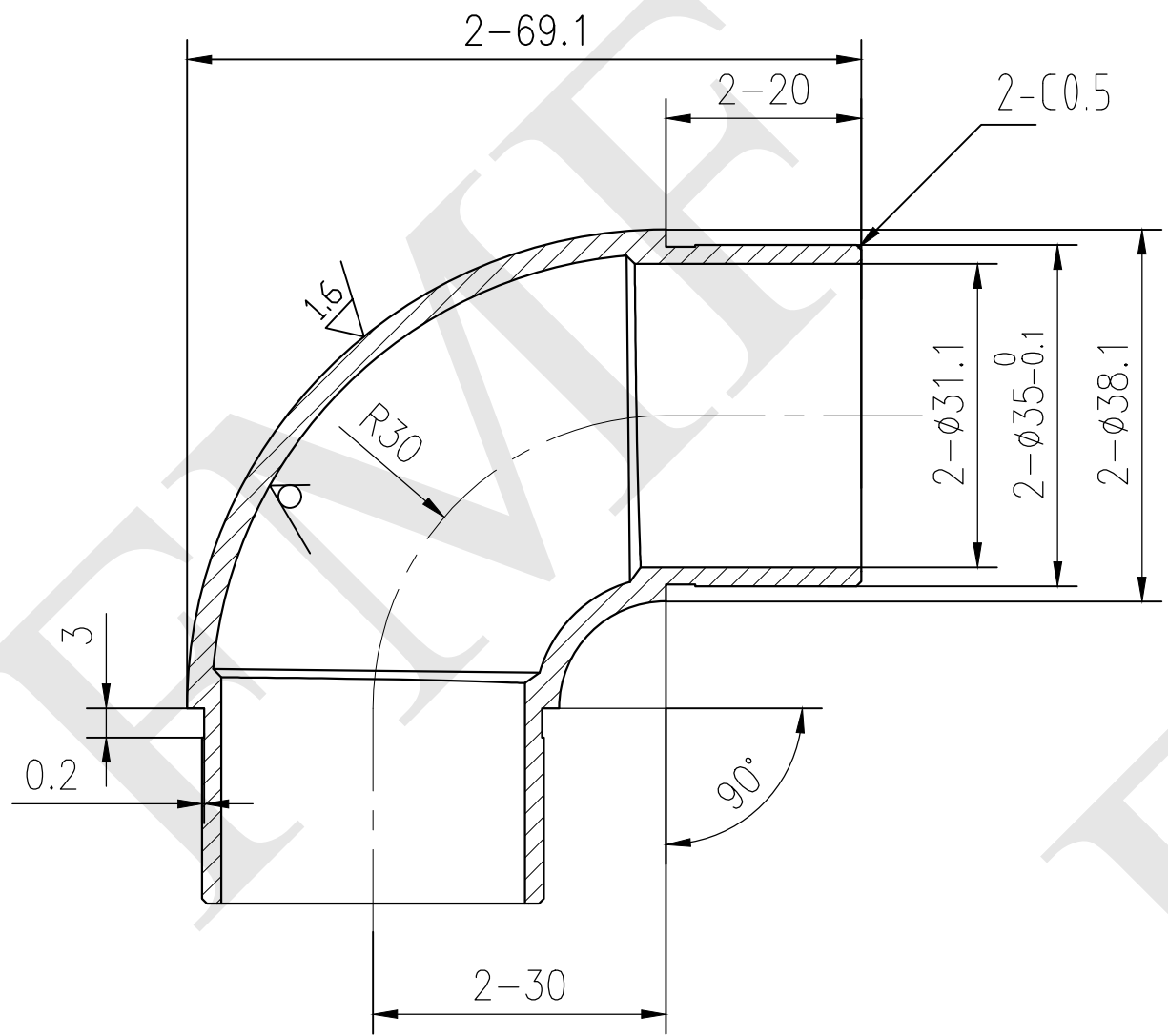


12 11 10 9 8 7 6 5 4 3 2 1

3.2

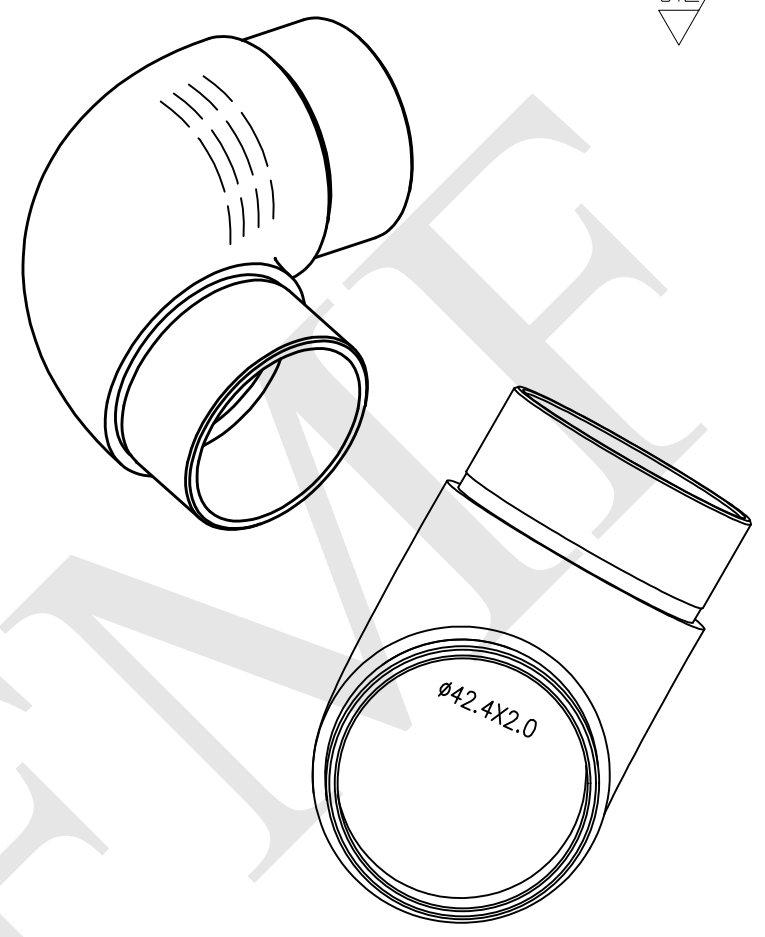
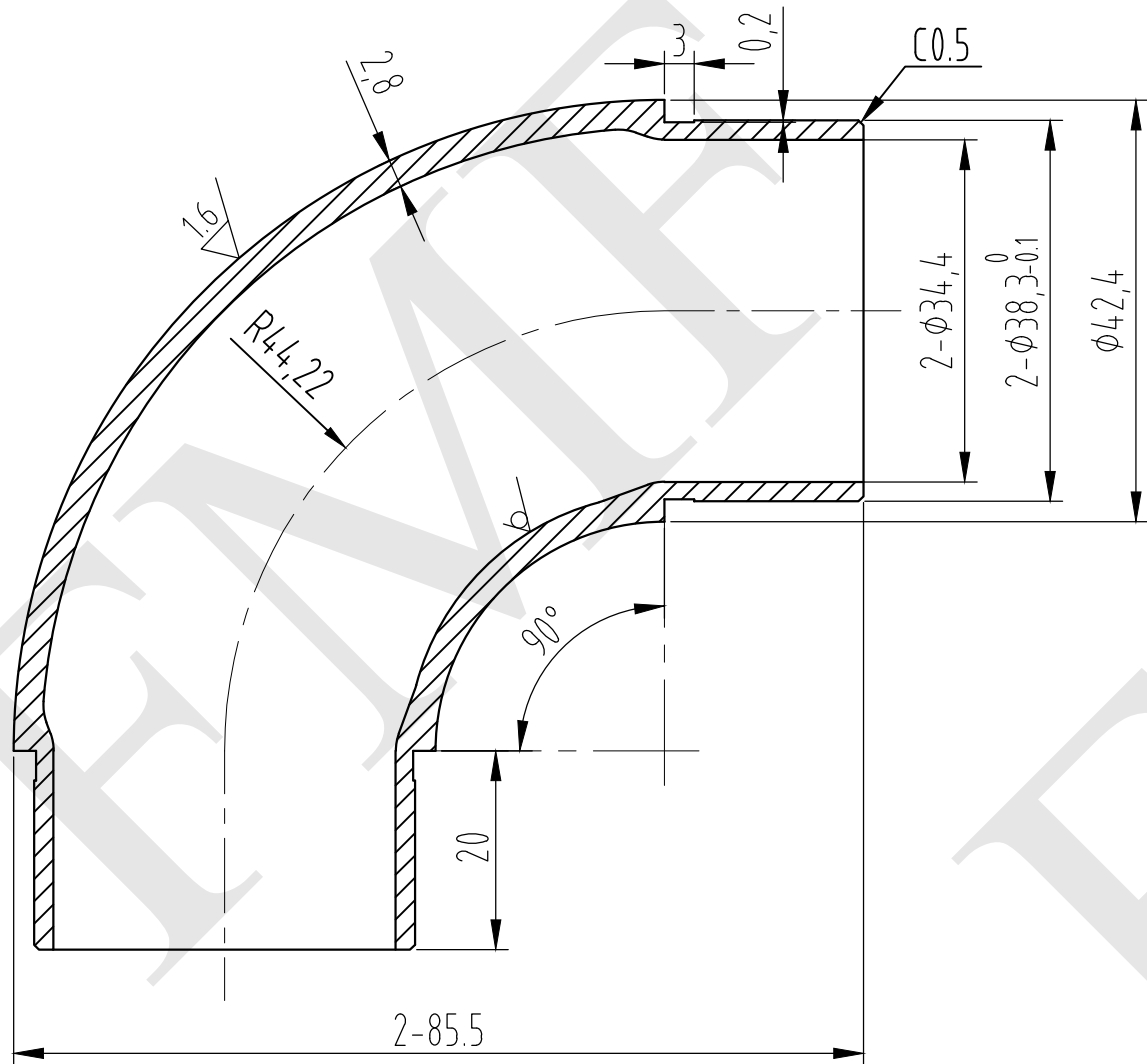


NOTES: - PROPRIETARY AND CONFIDENTIAL - THE INFORMATION CONTAINED IN THIS DRAWING IS THE SOLE PROPERTY OF FMF GLASS HARDWARE. ANY REPRODUCTION IN PART OR AS A WHOLE WITHOUT THE WRITTEN PERMISSION OF FMF GLASS HARDWARE IS PROHIBITED.	PRODUCT NAME: 90° Curve Elbow for 38.1mm Round Handrail		PRODUCT MODEL NUMBER: 90ELB-381C		
	DWG NO. 90ELB-381C_1	UNIT: MM	DWG SIZE/SCALE A4/NTS	FMF GLASS HARDWARE	REV. 1
	DATE: 12.22	DRAWN BY: FMF	SHEET 1 OF 1		

12 11 10 9 8 7 6 5 4 3 2 1

12 11 10 9 8 7 6 5 4 3 2 1

H
G
F
E
D
C
B
A



3.2/

NOTES:
 - PROPRIETARY AND CONFIDENTIAL
 - THE INFORMATION CONTAINED IN THIS DRAWING IS THE SOLE PROPERTY OF FMF GLASS HARDWARE. ANY REPRODUCTION IN PART OR AS A WHOLE WITHOUT THE WRITTEN PERMISSION OF FMF GLASS HARDWARE IS PROHIBITED.

PRODUCT NAME:
 90° Curve Elbow
 for 42.4mm Round Handrail

DWG NO. 90ELB-424C_1
 DATE: 12.22

UNIT: MM
 DRAWN BY: FMF

PRODUCT MODEL NUMBER:
 90ELB-424C

DWG SIZE/SCALE: A4/NTS
FMF GLASS HARDWARE

REV. 1
 SHEET 1 OF 1

12 11 10 9 8 7 6 5 4 3 2 1