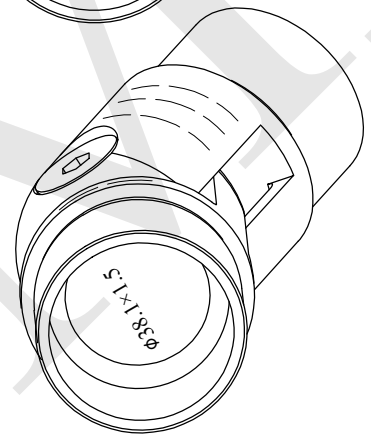
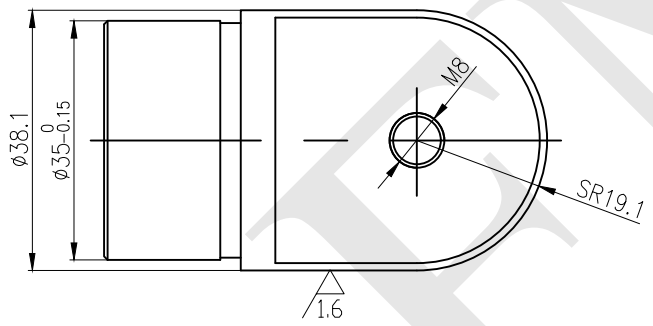
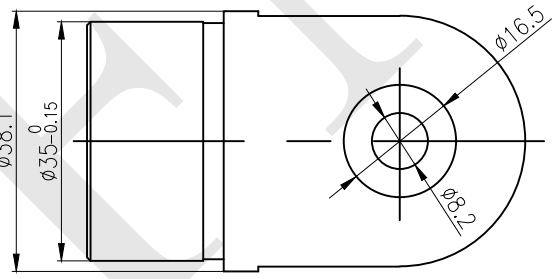
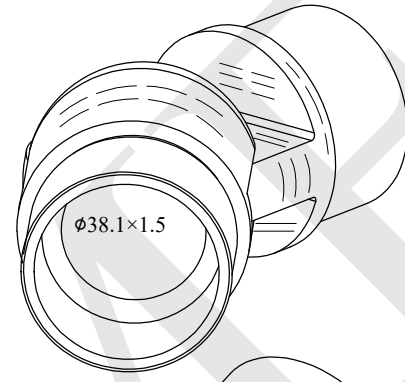
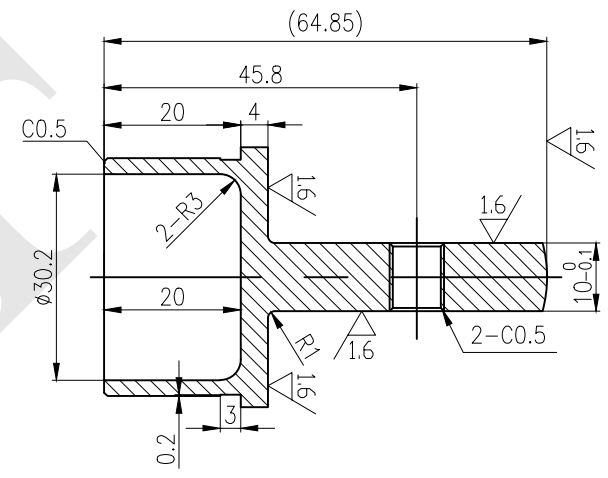
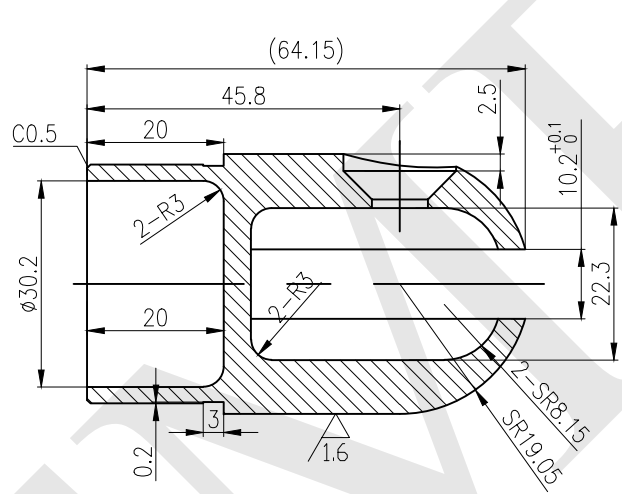
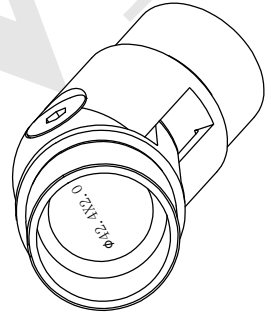
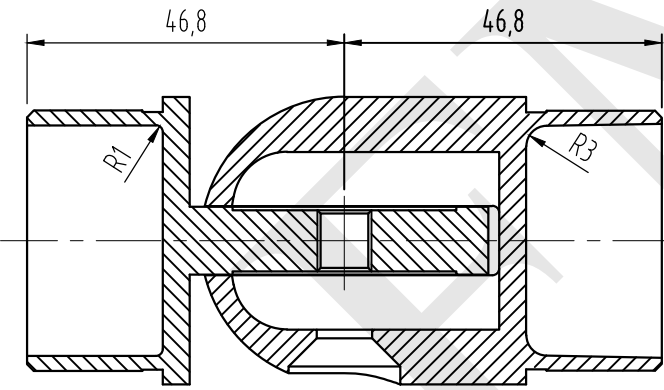
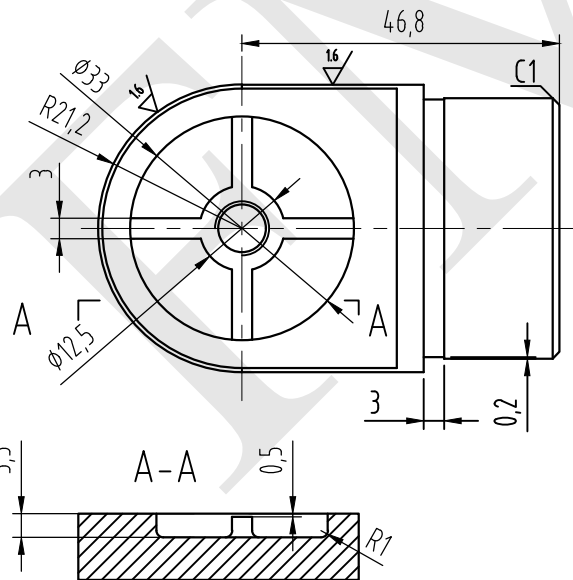
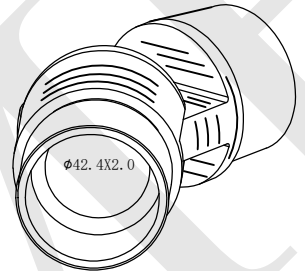
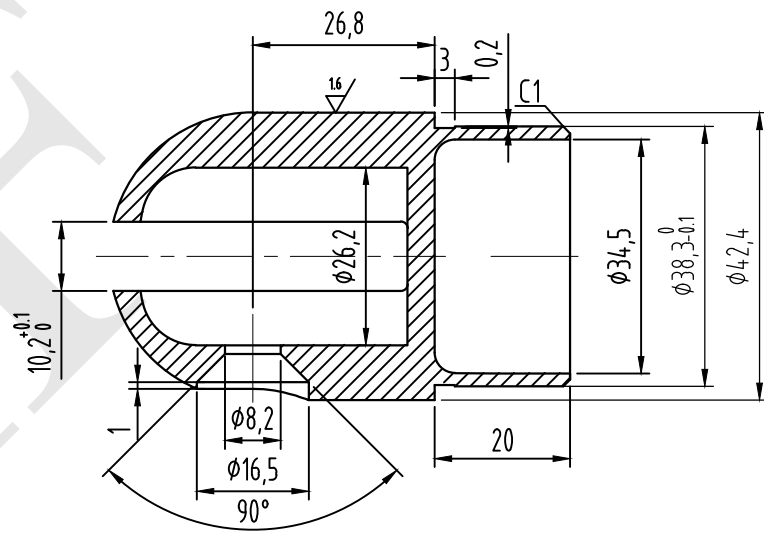
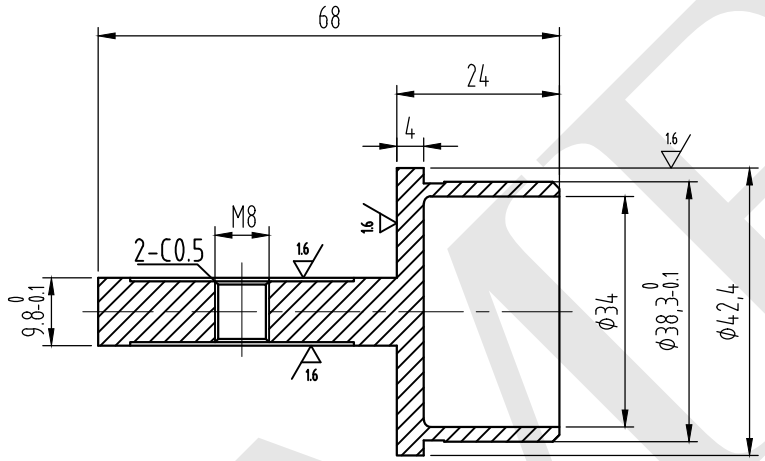


3.2



NOTES: - PROPRIETARY AND CONFIDENTIAL - THE INFORMATION CONTAINED IN THIS DRAWING IS THE SOLE PROPERTY OF FMF GLASS HARDWARE. ANY REPRODUCTION IN PART OR AS A WHOLE WITHOUT THE WRITTEN PERMISSION OF FMF GLASS HARDWARE IS PROHIBITED.	PRODUCT NAME: Adjustable Elbow for Round Handrail - 38.1mm		PRODUCT MODEL NUMBER: 135ELB-381		
	DWG NO. 135ELB-381_1	UNIT: MM	DWG SIZE/SCALE A4/NTS	FMF GLASS HARDWARE	REV. 1
	DATE: 11.22	DRAWN BY: FMF	SHEET 1 OF 1		



3.2

NOTES:
 - PROPRIETARY AND CONFIDENTIAL
 - THE INFORMATION CONTAINED IN THIS DRAWING IS THE SOLE PROPERTY OF FMF GLASS HARDWARE. ANY REPRODUCTION IN PART OR AS A WHOLE WITHOUT THE WRITTEN PERMISSION OF FMF GLASS HARDWARE IS PROHIBITED.

PRODUCT NAME:
 Adjustable Elbow for Round Handrail
 - 42.4mm

DWG NO. 135ELB-424_1
 DATE: 11.22

UNIT: MM
 DRAWN BY: FMF

PRODUCT MODEL NUMBER:
 135ELB-424

DWG SIZE/SCALE: A4/NTS
FMF GLASS HARDWARE

REV. 1
 SHEET 1 OF 1