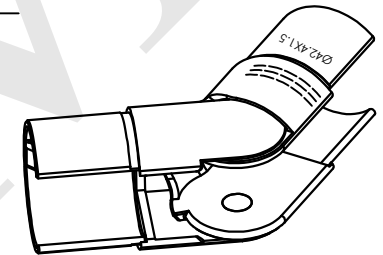
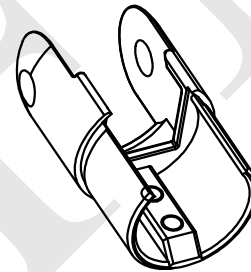
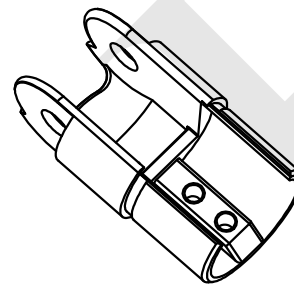
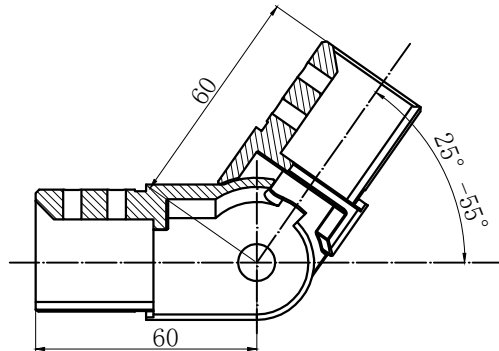
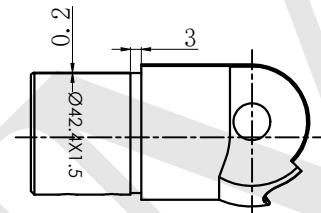
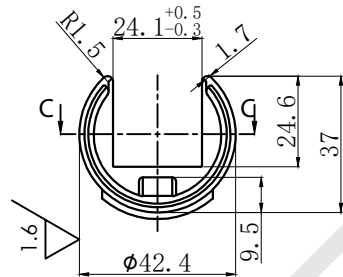
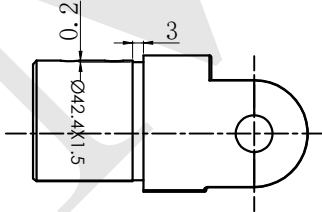
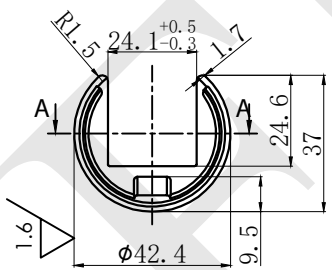
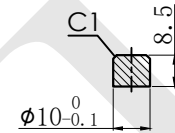
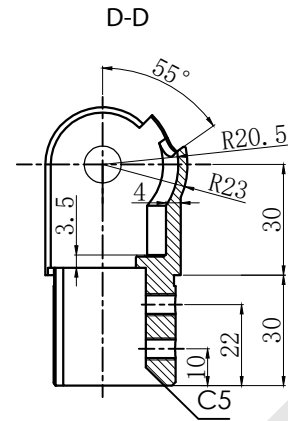
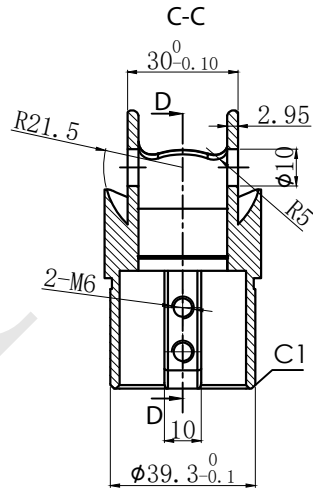
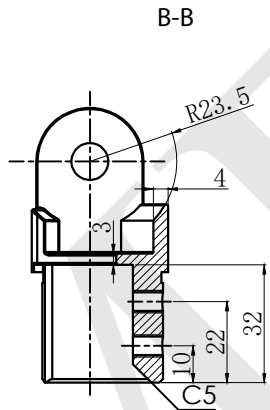
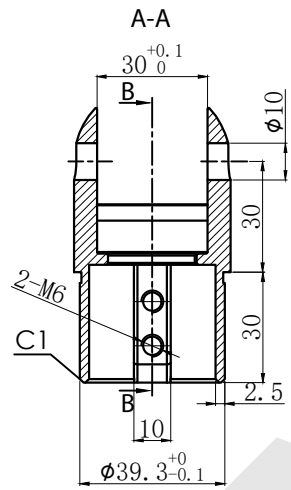


12 11 10 9 8 7 6 5 4 3 2 1



NOTES:

- PROPRIETARY AND CONFIDENTIAL
 - THE INFORMATION CONTAINED IN THIS DRAWING IS THE SOLE PROPERTY OF FMF GLASS HARDWARE. ANY REPRODUCTION IN PART OR AS A WHOLE WITHOUT THE WRITTEN PERMISSION OF FMF GLASS HARDWARE IS PROHIBITED.

PRODUCT NAME:
Adjustable Upward Elbow

PRODUCT MODEL NUMBER:
135ELB-C424U

DWG NO. 135ELB-C424U_1
 DATE: 12.22

UNIT: MM
 DRAWN BY: FMF

DWG SIZE/SCALE
A4/NTS

FMF GLASS HARDWARE

REV. 1
 SHEET 1 OF 1

12 11 10 9 8 7 6 5 4 3 2 1