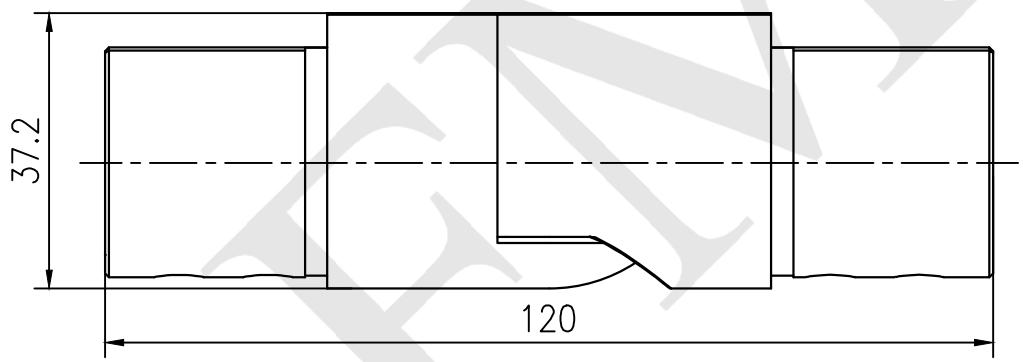
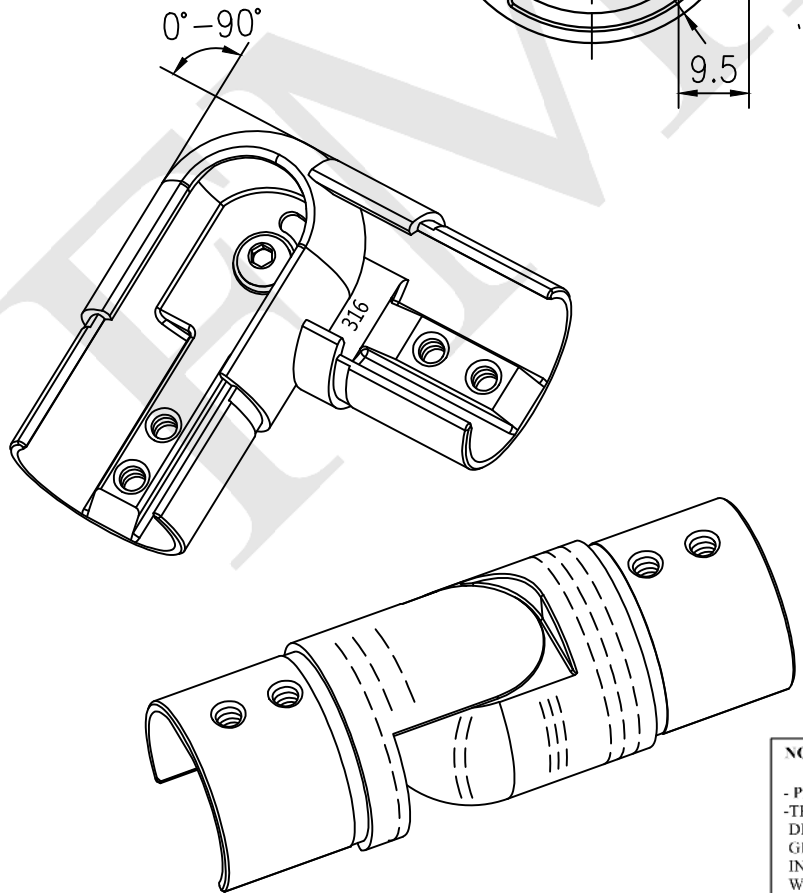
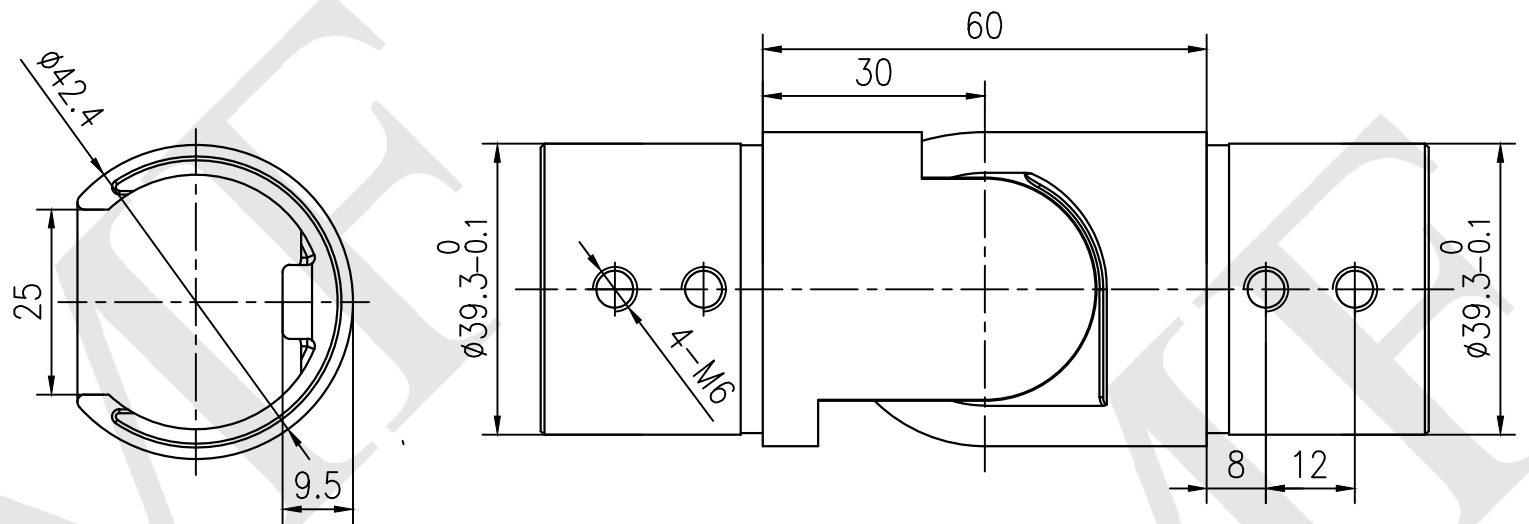


12 11 10 9 8 7 6 5 4 3 2 1

H
G
F
E
D
C
B
A

H
G
F
E
D
C
B
A



NOTES: - PROPRIETARY AND CONFIDENTIAL. - THE INFORMATION CONTAINED IN THIS DRAWING IS THE SOLE PROPERTY OF FMF GLASS HARDWARE. ANY REPRODUCTION IN PART OR AS A WHOLE WITHOUT THE WRITTEN PERMISSION OF FMF GLASS HARDWARE IS PROHIBITED.	PRODUCT NAME: Adjustable Horizontal Elbow for Round Cap 42.4mm Ø Handrail		PRODUCT MODEL NUMBER: 135ELB-C424H		
	DWG NO. 135ELB-C424H_1	UNIT: MM	DWG SIZE/SCALE A4/NTS	FMF GLASS HARDWARE	REV. 1
	DATE: 10.22	DRAWN BY: FMF			SHEET 1 OF 1

12 11 10 9 8 7 6 5 4 3 2 1